




STAN

İstanbul Piston ve Bağlantı Elemanları
Gas Spring Manufacturer
Gazlı Amortisör Üreticisi



Fragmanımıza QR
kodu tarayarak
ulaşabilirsiniz. 



High Performance Gas Springs

General information and application

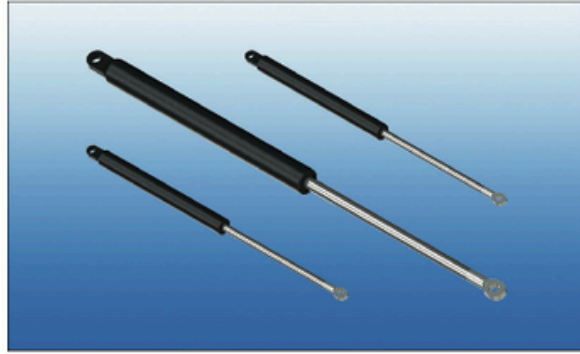
Lift your loads with STAN highperformance gas springs, always smoothly and effortlessly, without jerking. Our diverse applications are as numerous as our models. Shock absorbers produced in certain norm sizes are available in our stocks. We manufacture your Gas Springs for you. Even if your Custom App is for small quantity orders. As a counterweight or to assist movement, STAN highperformance gas springs are ideal for a wide variety of applications. They provide controlled movement. Seamlessly and effortlessly. In gas springs, pressurized nitrogen gas acts on the piston rod. In addition, oil reduces harsh movements and end positions. Special low-friction seals provide very long life and exceptional efficiency.



Teknik Detaylar

Force	Nitrogen (N), non-flammable (max. 2500N)
Damping fluid	Hydraulic oil, (Mineral oil, silicone oil)
Operational temperature	10 °C (-30 °C with special oil) to 80 °C
Number of moves/cycles	Max. 6 cycles per minute
Cylinder (Ø 15–28 mm)	Steel tube (chrome, paint coated)
Piston rod (Ø 6–14 mm)	Steel shaft (High carbon, surface hardened)
Force range	Variable by diameter and length (max. 2500N) In
Stroke length, tolerance	The range of 10 mm to 1000 mm (tolerance ±2 mm)

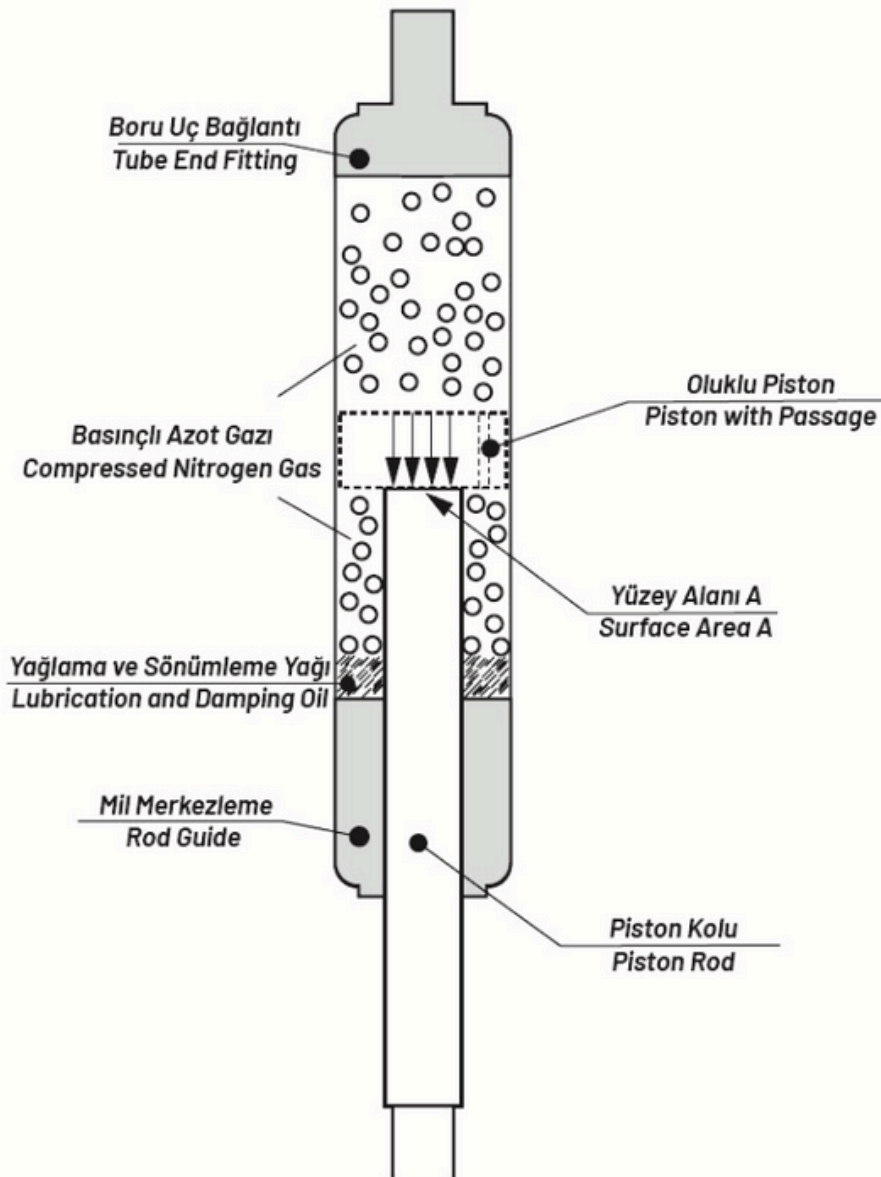
Working Principle



In this section you will find detailed information about the operation of different types of gas springs. All gas springs work on the same basic principle:

Gas springs are filled with nitrogen gas to a suitable pressure. This pressure is equal on both sides of the piston. The piston rod always extends because the surface area of the piston with the piston rod attached is smaller than the surface area of the other side of the piston without the piston rod attached. The resulting force in Newtons [N] can be calculated by multiplying the gas pressure.

P [bar] relative to the surface area of the piston rod A [mm²]: $F = P \times A$



Additional Information



This section provides information on additional options that allow you to use gas springs in certain applications or simply make them much easier to use. Additional options available for each gas strut can be found in the corresponding data sheets for each gas strut type. Please note the details regarding the different lengths of the shock absorbers, as some additional options increase the minimum length of the cylinder.

Temperature, Corrosion

Gas struts are filled with nitrogen gas and hydraulic oil at approx. 20 °C. Internal pressure and elongation force decrease at low temperatures and increase at high temperatures. The force of the gas spring changes by approximately 1% for every 3 °C difference in filling temperature.

STAN gas springs are designed for temperatures between minus 10 °C and plus 80 °C. STAN gas struts can also be used from minus 30 °C in case of special seals and special hydraulic oil.

Seals can no longer be guaranteed to work perfectly at temperatures above 80 °C, so avoid using them near ovens, fire, heating and the sun's rays behind glass.

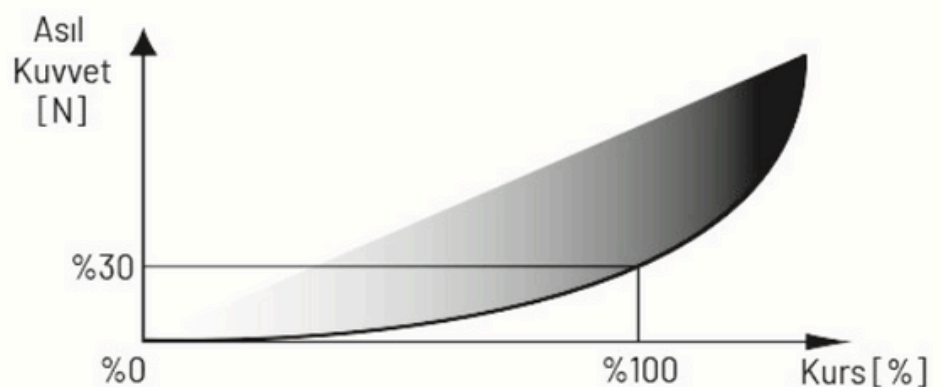
Gas springs become hot when they are operated quickly and frequently, even at normal room temperature. Therefore, make sure that it is not run more than about 6 times per minute.

If you have an application with high course rates, we are always ready to run tests and advise you. However, we recommend performing an additional test for your application.

If you intend to use gas springs outdoors, in damp or aggressive conditions, we recommend our stainless steel gas springs.

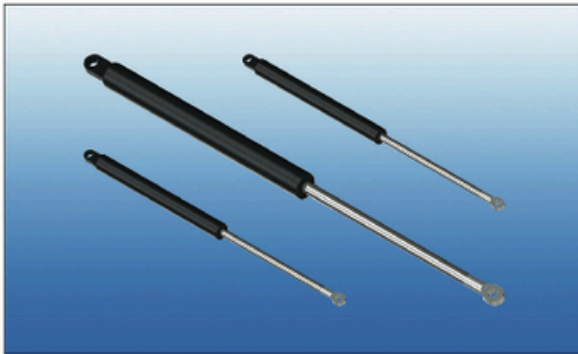


Progression



When the piston rod is pushed into the cylinder, there is less room for gas in the cylinder because the piston rod volume reduces the volume occupied by the remaining gas. Therefore, the gas pressure increases as the gas spring is compressed. This is called "gas spring progression". The increase in force is usually about 30% when the piston rod is fully compressed.

Thrust Type Gas Springs



STAN industrial push type gas springs are usually produced according to your needs. The table below gives you a brief summary of the types of thrust gas springs available. Normal progression of 30 - 40% is obtained by adding the fixed measurements given for the course giving the total length. Fixed measurements can be slightly reduced if a higher feed is desired. Below you will find information about additional options. More detailed data on each diameter range can be found on the following pages to help you choose your suitable gas spring. Alternatively, you can always use our consulting service.

Product Groups



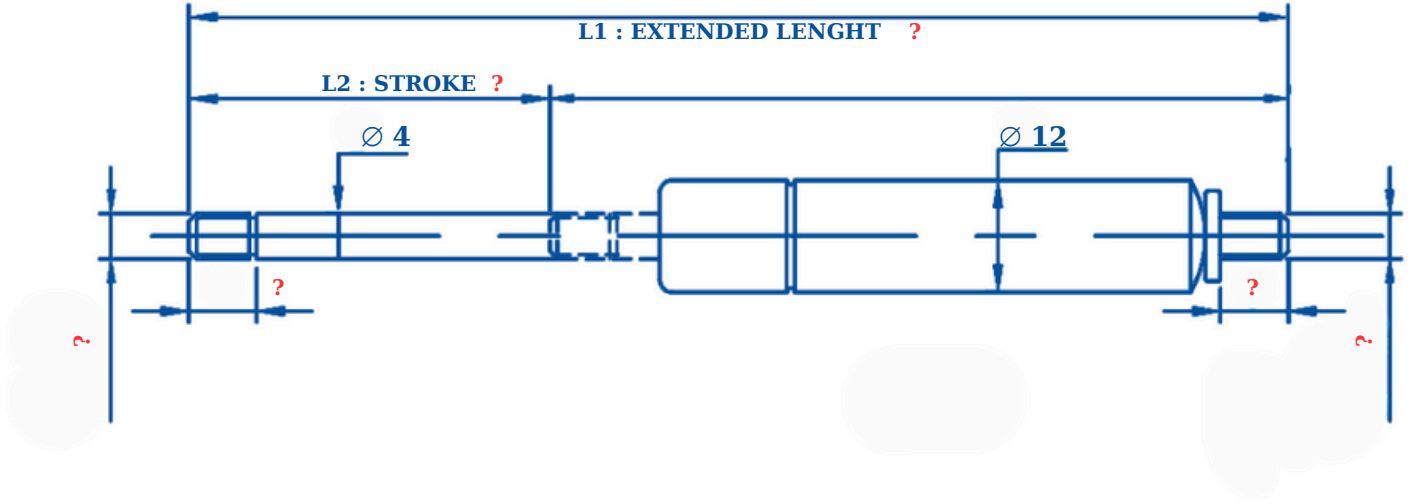
Ø Piston Kolu	6	8	10	10	14
Ø Silindir	15	18	21	22	28
Min. Kurs [mm]	20	40	40	40	50
Maks. Kurs [mm]	300	500	700	700	700
Min. Güç [N]	40	80	100	100	150
Maks. Güç [N]	400	700	1200	1300	2500
Kapalı Boy [mm]*	AB - K	AB - K	AB - K	AB - K	AB - K
Açık Boy [mm]*	2x K + 35	2x K + 35	2x K + 45	2x K + 45	2x K + 50

Power [N], and stroke length [mm] are important when choosing for the required application. It will determine the group of gas springs and present the limits of the product, we remind you that the information presented in the table above is standard, when you need to go beyond the limits, we can design and produce special production gas springs.

While designing your gas spring, every detail is of great importance in the final product. In the images presented on the following pages, it is possible to obtain prototype product dimensions for your product, which is in the design phase, through template calculations.

Since different applications will require different fasteners, we offer fasteners in various and different sizes, joints that you can use in moving environments, eye and fork fasteners for constant movement, as well as design support for special fasteners for specific situations.

04-12 THREADED ENDS LIFT

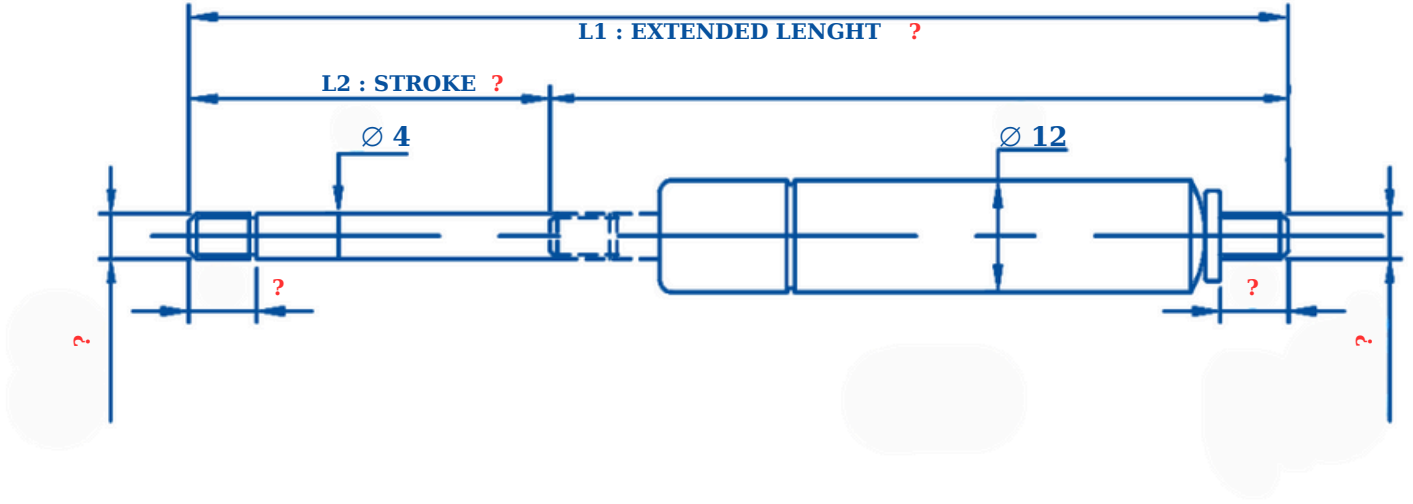


For your custom orders, please provide the information for the points indicated by '?'.
Özel üretim siparişleriniz için "?" ile belirtilen noktaların bilgilerinizi iletiniz.

REFERANS NO:	F1 (N)	L1 EXTENDED LENGTH AÇIK BOY	L2 STROKE STORK
STN0412-110-30-01	10	110	30
STN0412-110-30-02	25	110	30
STN0412-110-30-03	50	110	30
STN0412-110-30-04	75	110	30
STN0412-110-30-05	100	110	30
STN0412-110-30-06	125	110	30
STN0412-110-30-07	150	110	30
STN0412-110-30-08	175	110	30
STN0412-130-40-09	10	130	40
STN0412-130-40-10	25	130	40
STN0412-130-40-11	50	130	40
STN0412-130-40-12	75	130	40
STN0412-130-40-13	100	130	40
STN0412-130-40-14	125	130	40
STN0412-130-40-15	150	130	40
STN0412-130-40-16	175	130	40
STN0412-170-60-17	10	170	60
STN0412-170-60-18	25	170	60
STN0412-170-60-19	50	170	60
STN0412-170-60-20	75	170	60
STN0412-170-60-21	100	170	60
STN0412-170-60-22	125	170	60
STN0412-170-60-23	150	170	60
STN0412-170-60-24	175	170	60
STN0412-210-80-25	10	210	80
STN0412-210-80-26	25	210	80
STN0412-210-80-27	50	210	80
STN0412-210-80-28	75	210	80

REFERANS NO:	F1 (N)	L1 EXTENDED LENGTH AÇIK BOY	L2 STROKE STORK
STN0412-210-80-29	100	210	80
STN0412-210-80-30	125	210	80
STN0412-210-80-31	150	210	80
STN0412-210-80-32	175	210	80
STN0412-250-100-33	10	250	100
STN0412-250-100-34	25	250	100
STN0412-250-100-35	50	250	100
STN0412-250-100-36	75	250	100
STN0412-250-100-37	100	250	100
STN0412-250-100-38	125	250	100
STN0412-250-100-39	150	250	100
STN0412-250-100-40	175	250	100
STN0412-290-120-41	10	290	120
STN0412-290-120-42	25	290	120
STN0412-290-120-43	50	290	120
STN0412-290-120-44	75	290	120
STN0412-290-120-45	100	290	120
STN0412-290-120-46	125	290	120
STN0412-290-120-47	150	290	120
STN0412-290-120-48	175	290	120
STN0412-350-150-49	10	350	150
STN0412-350-150-50	25	350	150
STN0412-350-150-51	50	350	150
STN0412-350-150-52	75	350	150
STN0412-350-150-53	100	350	150
STN0412-350-150-54	125	350	150
STN0412-350-150-55	150	350	150
STN0412-350-150-56	175	350	150

04-12 STAINLESS STEEL LIFT

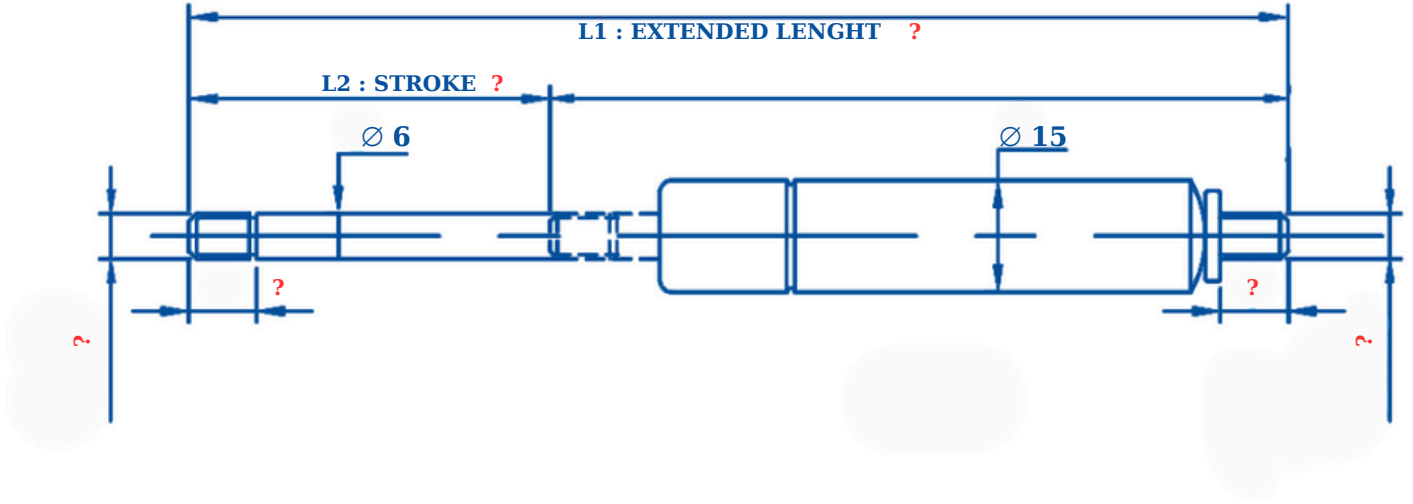


For your custom orders, please provide the information for the points indicated by '?'.
 Özel üretim siparişleriniz için "?" ile belirtilen noktaların bilgilerinizi iletiniz.

REFERANS NO:	F1 (N)	L1 EXTENDED LENGTH AÇIK BOY	L2 STROKE STORK
STN0412-105-20-57	50	105	20
STN0412-105-20-58	100	105	20
STN0412-105-20-59	150	105	20
STN0412-105-20-60	200	105	20
STN0412-105-20-61	250	105	20
STN0412-105-20-62	300	105	20
STN0412-105-20-63	350	105	20
STN0412-105-20-64	400	105	20
STN0412-145-40-65	50	145	40
STN0412-145-40-66	100	145	40
STN0412-145-40-67	150	145	40
STN0412-145-40-68	200	145	40
STN0412-145-40-69	250	145	40
STN0412-145-40-70	300	145	40
STN0412-145-40-71	350	145	40
STN0412-145-40-72	400	145	40
STN0412-185-60-73	50	185	60
STN0412-185-60-74	100	185	60
STN0412-185-60-75	150	185	60
STN0412-185-60-76	200	185	60
STN0412-185-60-77	250	185	60
STN0412-185-60-78	300	185	60
STN0412-185-60-79	350	185	60
STN0412-185-60-80	400	185	60
STN0412-225-80-81	50	225	80
STN0412-225-80-82	100	225	80
STN0412-225-80-83	150	225	80
STN0412-225-80-84	200	225	80

REFERANS NO:	F1 (N)	L1 EXTENDED LENGTH AÇIK BOY	L2 STROKE STORK
STN0412-225-80-85	250	225	80
STN0412-225-80-86	300	225	80
STN0412-225-80-87	350	225	80
STN0412-225-80-88	400	225	80
STN0412-265-100-89	50	265	100
STN0412-265-100-90	100	265	100
STN0412-265-100-91	150	265	100
STN0412-265-100-92	200	265	100
STN0412-265-100-93	250	265	100
STN0412-265-100-94	300	265	100
STN0412-265-100-95	350	265	100
STN0412-265-100-96	400	265	100
STN0412-305-120-97	50	305	120
STN0412-305-120-98	100	305	120
STN0412-305-120-99	150	305	120
STN0412-305-120-100	200	305	120
STN0412-305-120-101	250	305	120
STN0412-305-120-102	300	305	120
STN0412-305-120-103	350	305	120
STN0412-305-120-104	400	305	120
STN0412-365-150-105	50	365	150
STN0412-365-150-106	100	365	150
STN0412-365-150-107	150	365	150
STN0412-365-150-108	200	365	150
STN0412-365-150-109	250	365	150
STN0412-365-150-110	300	365	150
STN0412-365-150-111	350	365	150
STN0412-365-150-112	400	365	150

06-15 THREADED ENDS LIFT

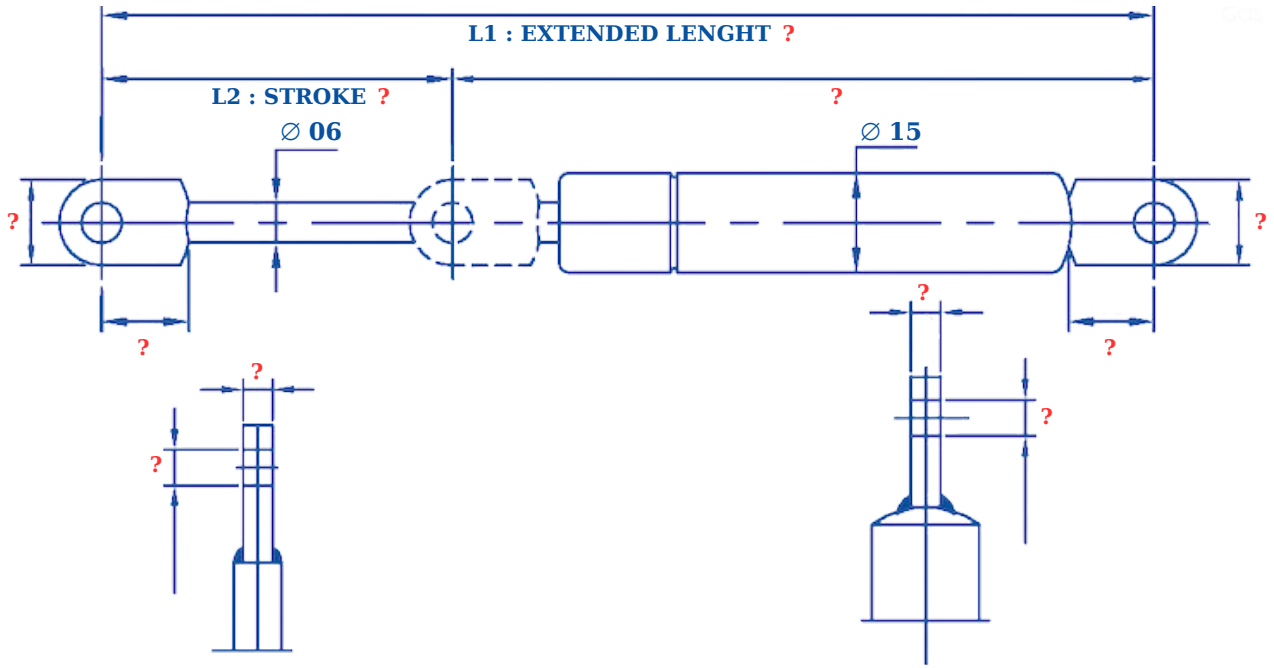


For your custom orders, please provide the information for the points indicated by '?'.
 Özel üretim siparişleriniz için "?" ile belirtilen noktaların bilgilerinizi iletiniz.

REFERANS NO:	F1 (N)	L1 EXTENDED LENGTH AÇIK BOY	L2 STROKE STORK
STN0615-100-20-113	50	100	20
STN0615-100-20-114	100	100	20
STN0615-100-20-115	150	100	20
STN0615-100-20-116	200	100	20
STN0615-100-20-117	250	100	20
STN0615-100-20-118	300	100	20
STN0615-100-20-119	350	100	20
STN0615-100-20-120	400	100	20
STN0615-140-40-121	50	140	40
STN0615-140-40-122	100	140	40
STN0615-140-40-123	150	140	40
STN0615-140-40-124	200	140	40
STN0615-140-40-125	250	140	40
STN0615-140-40-126	300	140	40
STN0615-140-40-127	350	140	40
STN0615-140-40-128	400	140	40
STN0615-180-60-129	50	180	60
STN0615-180-60-130	100	180	60
STN0615-180-60-131	150	180	60
STN0615-180-60-132	200	180	60
STN0615-180-60-133	250	180	60
STN0615-180-60-134	300	180	60
STN0615-180-60-135	350	180	60
STN0615-180-60-136	400	180	60
STN0615-220-80-137	50	220	80
STN0615-220-80-138	100	220	80
STN0615-220-80-139	150	220	80
STN0612-220-80-140	200	200	80

REFERANS NO:	F1 (N)	L1 EXTENDED LENGTH AÇIK BOY	L2 STROKE STORK
STN0615-220-80-141	250	200	80
STN0615-220-80-142	300	200	80
STN0615-220-80-143	350	200	80
STN0615-220-80-144	400	200	80
STN0615-260-100-145	50	260	100
STN0615-260-100-146	100	260	100
STN0615-260-100-147	150	260	100
STN0615-260-100-148	200	260	100
STN0615-260-100-149	250	260	100
STN0615-260-100-150	300	260	100
STN0615-260-100-151	350	260	100
STN0615-260-100-152	400	260	100
STN0615-300-100-153	50	300	120
STN0615-300-120-154	100	300	120
STN0412-300-120-155	150	300	120
STN0412-300-120-156	200	300	120
STN0412-300-120-157	250	300	120
STN0412-300-120-158	300	300	120
STN0412-300-120-159	350	300	120
STN0412-300-120-160	400	300	120
STN0412-360-150-161	50	360	150
STN0412-360-150-162	100	360	150
STN0412-360-150-163	150	360	150
STN0412-360-150-164	200	360	150
STN0412-360-150-165	250	360	150
STN0412-360-150-166	300	360	150
STN0412-360-150-167	350	360	150
STN0412-360-150-168	400	360	150

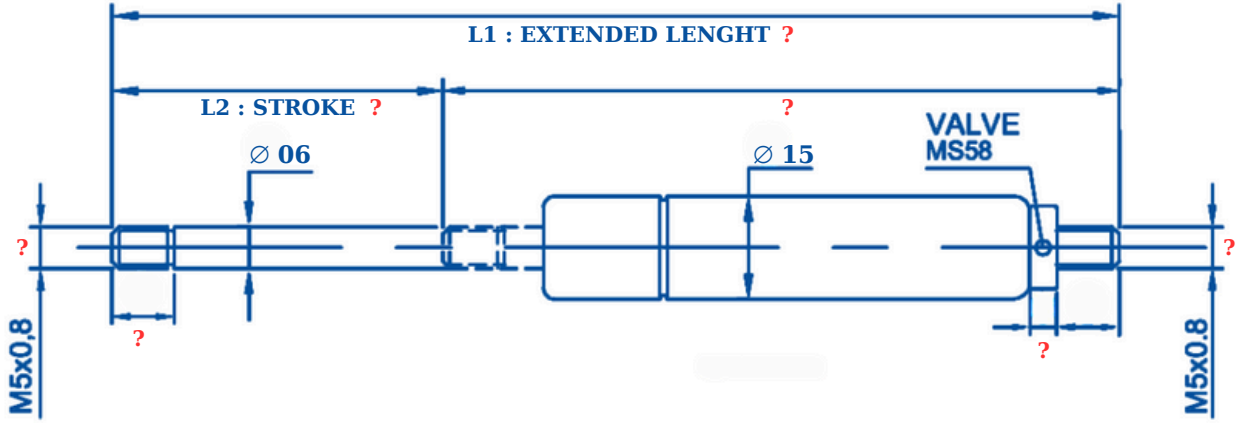
06-15 WELDED EYES LIFT



REFERANS NO:	F1 (N)	L1 EXTENDED LENGTH AÇIK BOY	L2 STROKE STORK
STN0615-110-20-169	50	110	20
STN0615-110-20-170	100	110	20
STN0615-110-20-171	150	110	20
STN0615-110-20-172	200	110	20
STN0615-110-20-173	250	110	20
STN0615-110-20-174	300	110	20
STN0615-110-20-175	350	110	20
STN0615-110-20-176	400	110	20
STN0615-150-40-177	50	150	40
STN0615-150-40-178	100	150	40
STN0615-150-40-179	150	150	40
STN0615-150-40-180	200	150	40
STN0615-150-40-181	250	150	40
STN0615-150-40-182	300	150	40
STN0615-150-40-183	350	150	40
STN0615-150-40-184	400	150	40
STN0615-190-60-185	50	190	60
STN0615-190-60-186	100	190	60
STN0615-190-60-187	150	190	60
STN0615-190-60-188	200	190	60
STN0615-190-60-189	250	190	60
STN0615-190-60-190	300	190	60
STN0615-190-60-191	350	190	60
STN0615-190-60-192	400	190	60
STN0615-230-80-193	50	230	80
STN0615-230-80-194	100	230	80
STN0615-230-80-195	150	230	80
STN0615-230-80-196	200	230	80

REFERANS NO:	F1 (N)	L1 EXTENDED LENGTH AÇIK BOY	L2 STROKE STORK
STN0615-230-80-197	250	230	80
STN0615-230-80-198	300	230	80
STN0615-230-80-199	350	230	80
STN0615-230-80-200	400	230	80
STN0615-270-100-201	50	270	100
STN0615-270-100-202	100	270	100
STN0615-270-100-203	150	270	100
STN0615-270-100-204	200	270	100
STN0615-270-100-205	250	270	100
STN0615-270-100-206	300	270	100
STN0615-270-100-207	350	270	100
STN0615-270-100-208	400	270	100
STN0615-270-120-209	50	310	120
STN0615-310-120-210	100	310	120
STN0615-310-120-211	150	310	120
STN0615-310-120-212	200	310	120
STN0615-310-120-213	250	310	120
STN0615-310-120-214	300	310	120
STN0615-310-120-215	350	310	120
STN0615-310-120-216	400	310	120
STN0615-370-150-217	50	370	150
STN0615-370-150-218	100	370	150
STN0615-370-150-219	150	370	150
STN0615-370-150-220	200	370	150
STN0615-370-150-221	250	370	150
STN0615-370-150-222	300	370	150
STN0615-370-150-223	350	370	150
STN0615-370-150-224	400	370	150

06-15 VALVE LIFT

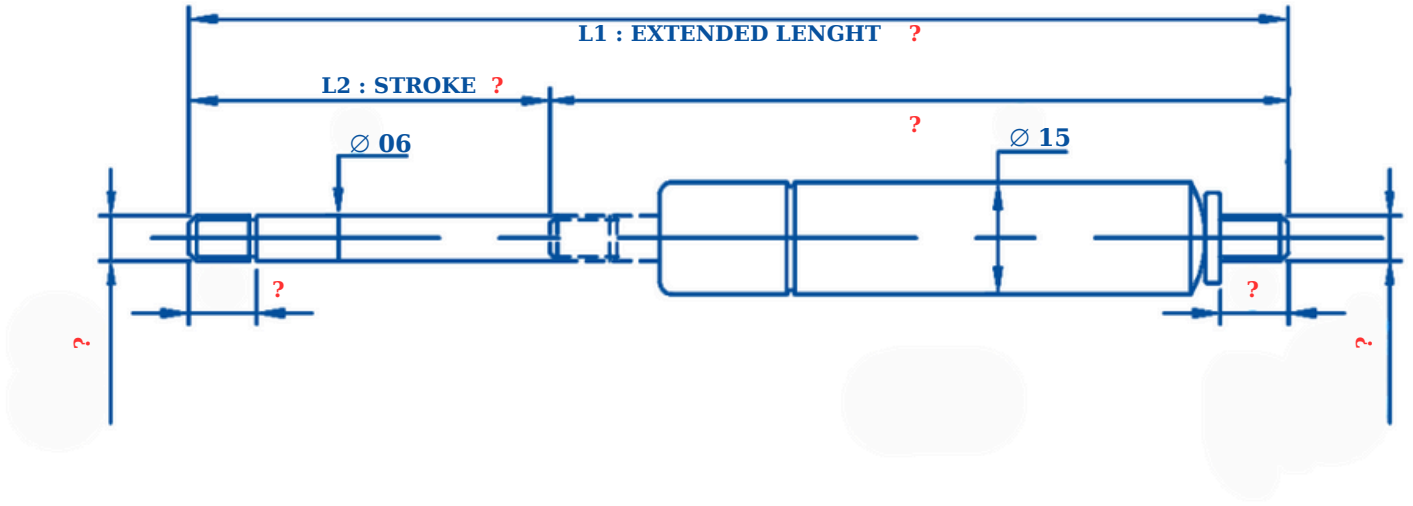


For your custom orders, please provide the information for the points indicated by '?'.
Özel üretim siparişleriniz için "?" ile belirtilen noktaların bilgilerinizi iletiniz.

REFERANS NO:	F1 (N)	L1 EXTENDED LENGTH AÇIK BOY	L2 STROKE STORK
STN0615-110-20-225	50	110	20
STN0615-110-20-226	100	110	20
STN0615-110-20-227	150	110	20
STN0615-110-20-228	200	110	20
STN0615-110-20-229	250	110	20
STN0615-110-20-230	300	110	20
STN0615-110-20-231	350	110	20
STN0615-110-20-232	400	110	20
STN0615-150-40-233	50	150	40
STN0615-150-40-234	100	150	40
STN0615-150-40-235	150	150	40
STN0615-150-40-236	200	150	40
STN0615-150-40-237	250	150	40
STN0615-150-40-238	300	150	40
STN0615-150-40-239	350	150	40
STN0615-150-40-240	400	150	40
STN0615-190-60-241	50	190	60
STN0615-190-60-242	100	190	60
STN0615-190-60-243	150	190	60
STN0615-190-60-244	200	190	60
STN0615-190-60-245	250	190	60
STN0615-190-60-246	300	190	60
STN0615-190-60-247	350	190	60
STN0615-190-60-248	400	190	60
STN0615-230-80-249	50	230	80
STN0615-230-80-250	100	230	80
STN0615-230-80-251	150	230	80
STN0615-230-80-252	200	230	80

REFERANS NO:	F1 (N)	L1 EXTENDED LENGTH AÇIK BOY	L2 STROKE STORK
STN0615-230-80-253	250	230	80
STN0615-230-80-254	300	230	80
STN0615-230-80-255	350	230	80
STN0615-230-80-256	400	230	80
STN0615-270-100-257	50	270	100
STN0615-270-100-258	100	270	100
STN0615-270-100-259	150	270	100
STN0615-270-100-260	200	270	100
STN0615-270-100-261	250	270	100
STN0615-270-100-262	300	270	100
STN0615-270-100-263	350	270	100
STN0615-270-100-264	400	270	100
STN0615-270-120-265	50	310	120
STN0615-310-120-266	100	310	120
STN0615-310-120-267	150	310	120
STN0615-310-120-268	200	310	120
STN0615-310-120-269	250	310	120
STN0615-310-120-270	300	310	120
STN0615-310-120-271	350	310	120
STN0615-310-120-272	400	310	120
STN0615-370-150-273	50	370	150
STN0615-370-150-274	100	370	150
STN0615-370-150-275	150	370	150
STN0615-370-150-276	200	370	150
STN0615-370-150-277	250	370	150
STN0615-370-150-278	300	370	150
STN0615-370-150-279	350	370	150
STN0615-370-150-280	400	370	150

06-15 STAINLESS STEEL LIFT

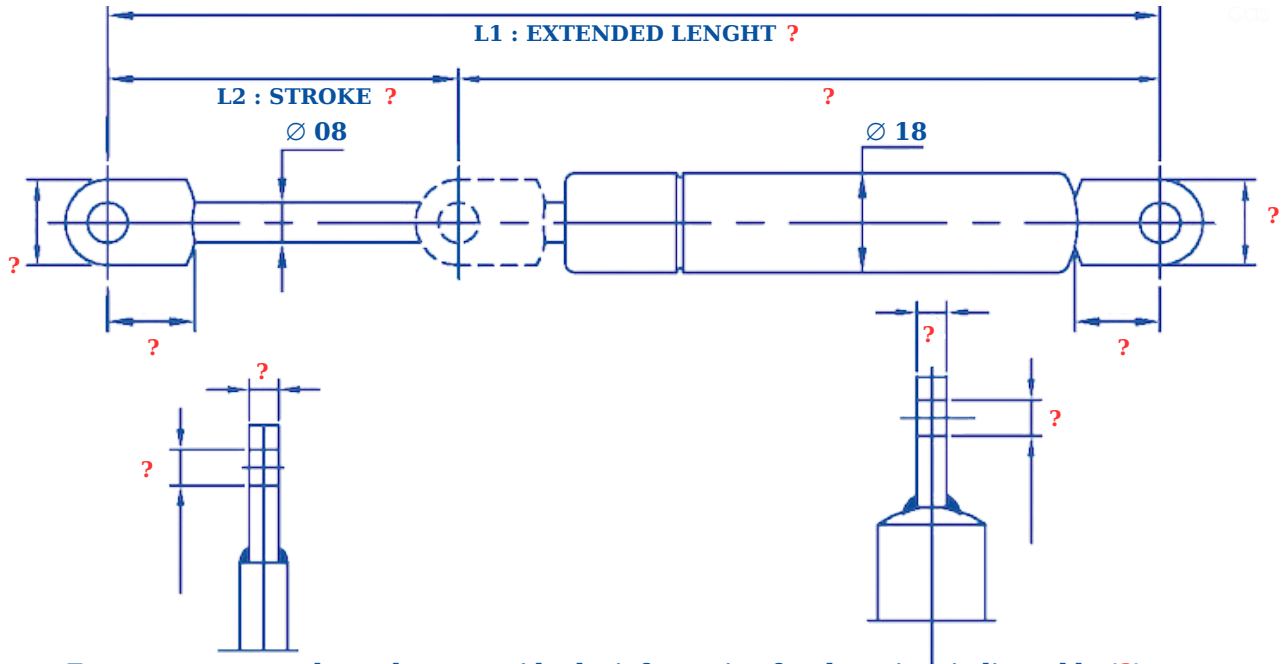


For your custom orders, please provide the information for the points indicated by '?'.
Özel üretim siparişleriniz için "?" ile belirtilen noktaların bilgilerinizi iletiniz.

REFERANS NO:	F1 (N)	L1 EXTENDED LENGTH AÇIK BOY	L2 STROKE STORK
STN0615-105-20-281	50	105	20
STN0615-105-20-282	100	105	20
STN0615-105-20-283	150	105	20
STN0615-105-20-284	200	105	20
STN0615-105-20-285	250	105	20
STN0615-105-20-286	300	105	20
STN0615-105-20-287	350	105	20
STN0615-105-20-288	400	105	20
STN0615-145-40-289	50	145	40
STN0615-145-40-290	100	145	40
STN0615-145-40-291	150	145	40
STN0615-145-40-292	200	145	40
STN0615-145-40-293	250	145	40
STN0615-145-40-294	300	145	40
STN0615-145-40-295	350	145	40
STN0615-145-40-296	400	145	40
STN0615-185-60-297	50	185	60
STN0615-185-60-298	100	185	60
STN0615-185-60-299	150	185	60
STN0615-185-60-300	200	185	60
STN0615-185-60-301	250	185	60
STN0615-185-60-302	300	185	60
STN0615-185-60-303	350	185	60
STN0615-185-60-304	400	185	60
STN0615-225-80-305	50	225	80
STN0615-225-80-306	100	225	80
STN0615-225-80-307	150	225	80
STN0615-225-80-308	200	225	80

REFERANS NO:	F1 (N)	L1 EXTENDED LENGTH AÇIK BOY	L2 STROKE STORK
STN0615-225-80-309	250	225	80
STN0615-225-80-310	300	225	80
STN0615-225-80-311	350	225	80
STN0615-225-80-312	400	225	80
STN0615-265-100-313	50	265	100
STN0615-265-100-314	100	265	100
STN0615-265-100-315	150	265	100
STN0615-265-100-316	200	265	100
STN0615-265-100-317	250	265	100
STN0615-265-100-318	300	265	100
STN0615-265-100-319	350	265	100
STN0615-265-100-320	400	265	100
STN0615-305-120-321	50	305	120
STN0615-305-120-322	100	305	120
STN0615-305-120-323	150	305	120
STN0615-305-120-324	200	305	120
STN0615-305-120-325	250	305	120
STN0615-305-120-326	300	305	120
STN0615-305-120-327	350	305	120
STN0615-305-120-328	400	305	120
STN0615-365-150-329	50	365	150
STN0615-365-150-330	100	365	150
STN0615-365-150-331	150	365	150
STN0615-365-150-332	200	365	150
STN0615-365-150-333	250	365	150
STN0615-365-150-334	300	365	150
STN0615-365-150-335	350	365	150
STN0615-365-150-336	400	365	150

08-18 WELDED EYES LIFT

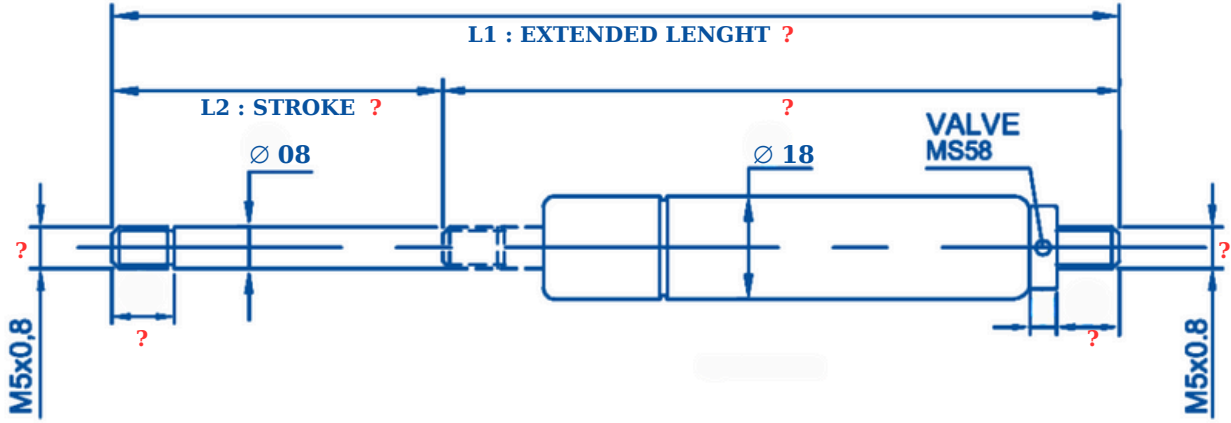


For your custom orders, please provide the information for the points indicated by '?'.
Özel üretim siparişleriniz için "?" ile belirtilen noktaların bilgilerinizi iletiniz.

REFERANS NO:	F1 (N)	L1 EXTENDED LENGTH AÇIK BOY	L2 STROKE STORK
STN0818-145-60-337	400	205	60
STN0818-145-60-338	500	205	60
STN0818-145-60-339	600	205	60
STN0818-145-60-400	700	205	60
STN0818-165-80-401	400	245	80
STN0818-165-80-402	500	245	80
STN0818-165-80-403	600	245	80
STN0818-165-80-404	700	245	80
STN0818-185-100-405	400	285	100
STN0818-185-100-406	500	285	100
STN0818-185-100-407	600	285	100
STN0818-185-100-408	700	285	100
STN0818-205-120-409	400	325	120
STN0818-205-120-410	500	325	120
STN0818-205-120-411	600	325	120
STN0818-205-120-412	700	325	120
STN0818-225-140-413	400	365	140
STN0818-225-140-414	500	365	140
STN0818-225-140-415	600	365	140
STN0818-225-140-416	700	365	140
STN0818-245-160-417	100	405	160
STN0818-245-160-418	150	405	160
STN0818-245-160-419	200	405	160
STN0818-245-160-420	250	405	160
STN0818-245-160-421	300	405	160
STN0818-245-160-422	350	405	160
STN0818-245-160-423	400	405	160
STN0818-245-160-424	450	405	160

REFERANS NO:	F1 (N)	L1 EXTENDED LENGTH AÇIK BOY	L2 STROKE STORK
STN0818-245-160-425	500	405	160
STN0818-245-160-426	600	405	160
STN0818-245-160-427	700	405	160
STN0818-265-180-428	100	445	180
STN0818-265-180-429	150	445	180
STN0818-265-180-430	200	445	180
STN0818-265-180-431	250	445	180
STN0818-265-180-432	300	445	180
STN0818-265-180-433	350	445	180
STN0818-265-180-434	400	445	180
STN0818-265-180-435	500	445	180
STN0818-265-180-436	600	445	180
STN0818-265-180-437	700	445	180
STN0818-265-180-438	100	485	200
STN0818-285-200-439	150	485	200
STN0818-285-200-440	200	485	200
STN0818-285-200-441	250	485	200
STN0818-285-200-442	300	485	200
STN0818-285-200-443	350	485	200
STN0818-285-200-444	400	485	200
STN0818-285-200-445	500	485	200
STN0818-285-200-446	600	485	200
STN0818-285-200-447	700	485	200
STN0818-305-220-448	100	525	220
STN0818-305-220-449	150	525	220
STN0818-305-220-450	200	525	220
STN0818-305-220-451	250	525	220
STN0818-305-220-452	300	525	220

08-18 VALVE LIFT

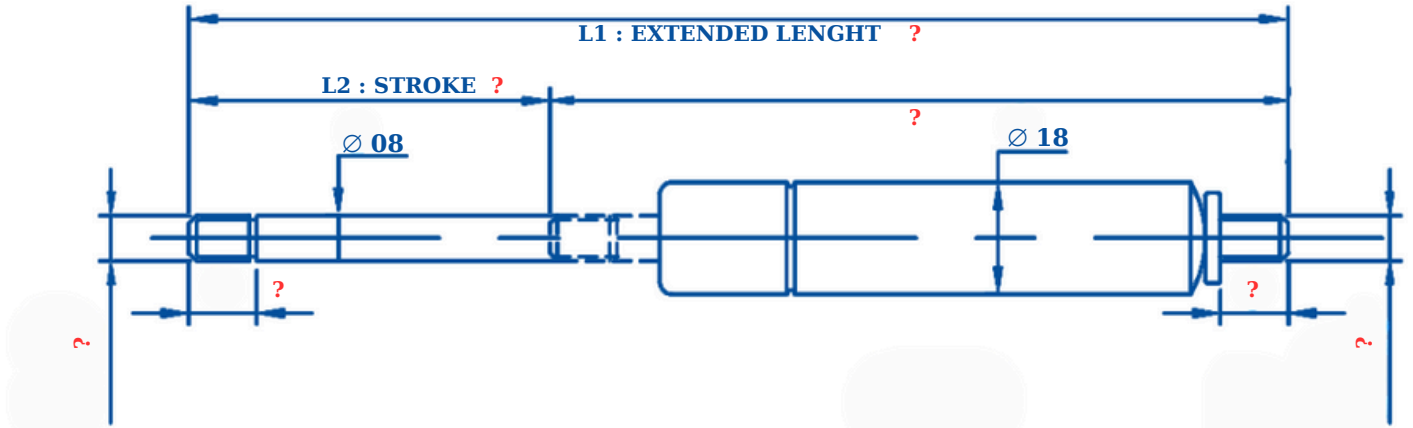


For your custom orders, please provide the information for the points indicated by '?'.
Özel üretim siparişleriniz için "?" ile belirtilen noktaların bilgilerinizi iletiniz.

REFERANS NO:	F1 (N)	L1 EXTENDED LENGTH AÇIK BOY	L2 STROKE STORK
STN0818-200-60-453	400	200	60
STN0818-200-60-454	500	200	60
STN0818-200-60-455	600	200	60
STN0818-200-60-456	700	200	60
STN0818-240-80-457	400	240	80
STN0818-240-80-458	500	240	80
STN0818-240-80-459	600	240	80
STN0818-240-80-460	700	240	80
STN0818-280-100-461	400	280	100
STN0818-280-100-462	500	280	100
STN0818-280-100-463	600	280	100
STN0818-280-100-464	700	280	100
STN0818-320-120-465	400	320	120
STN0818-320-120-466	500	320	120
STN0818-320-120-467	600	320	120
STN0818-320-120-468	700	320	120
STN0818-360-140-469	400	360	140
STN0818-360-140-470	500	360	140
STN0818-360-140-471	600	360	140
STN0818-360-140-472	700	360	140
STN0818-400-160-473	100	400	160
STN0818-400-160-474	150	400	160
STN0818-400-160-475	200	400	160
STN0818-400-160-476	250	400	160
STN0818-400-160-477	300	400	160
STN0818-400-160-478	350	400	160
STN0818-400-160-479	400	400	160
STN0818-400-160-480	450	400	160

REFERANS NO:	F1 (N)	L1 EXTENDED LENGTH AÇIK BOY	L2 STROKE STORK
STN0818-400-160-481	500	400	160
STN0818-400-160-482	600	400	160
STN0818-400-160-483	700	400	160
STN0818-440-180-484	100	440	180
STN0818-440-180-485	150	440	180
STN0818-440-180-486	200	440	180
STN0818-440-180-487	250	440	180
STN0818-440-180-488	300	440	180
STN0818-440-180-489	350	440	180
STN0818-440-180-490	400	440	180
STN0818-440-180-491	500	440	180
STN0818-440-180-492	600	440	180
STN0818-440-180-493	700	440	180
STN0818-480-200-494	100	480	200
STN0818-480-200-495	150	480	200
STN0818-480-200-496	200	480	200
STN0818-480-200-497	250	480	200
STN0818-480-200-498	300	480	200
STN0818-480-200-499	350	480	200
STN0818-480-200-500	400	480	200
STN0818-480-200-501	500	480	200
STN0818-480-200-502	600	480	200
STN0818-480-200-503	700	480	200
STN0818-520-220-504	100	520	220
STN0818-520-220-505	150	520	220
STN0818-520-220-506	200	520	220
STN0818-520-220-507	250	520	220
STN0818-520-220-508	300	520	220

08-18 THREADED ENDS LIFT

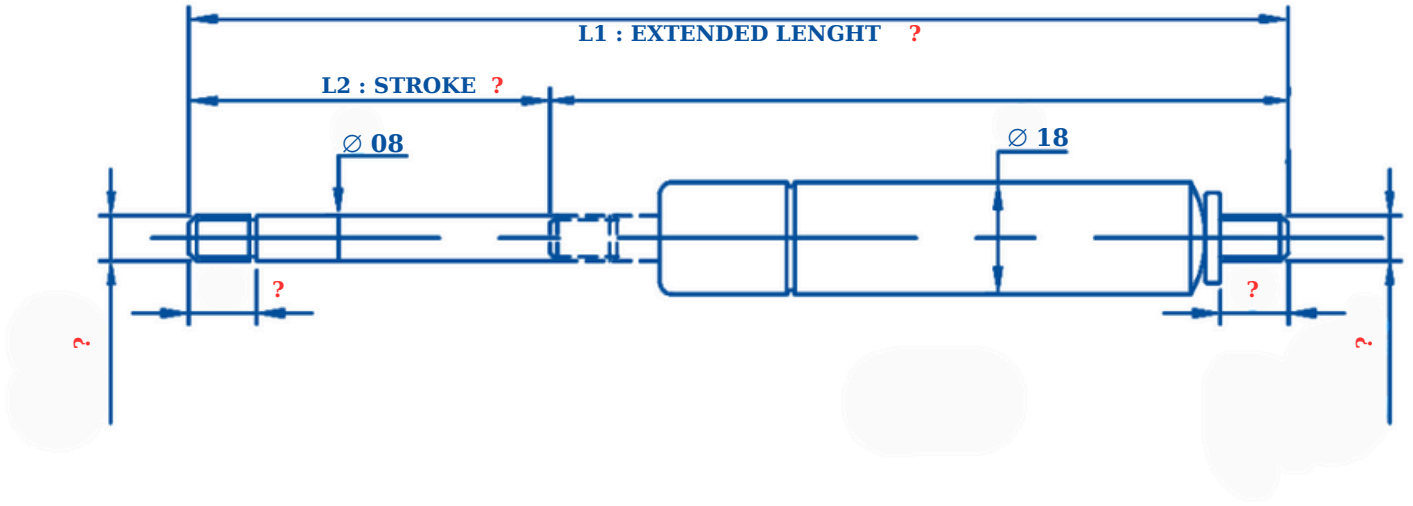


For your custom orders, please provide the information for the points indicated by '?'.
Özel üretim siparişleriniz için "?" ile belirtilen noktaların bilgilerinizi iletiniz.

REFERANS NO:	F1 (N)	L1 EXTENDED LENGTH AÇIK BOY	L2 STROKE STORK
STN0818-190-60-509	400	190	60
STN0818-190-60-510	500	190	60
STN0818-190-60-511	600	190	60
STN0818-190-60-512	700	190	60
STN0818-230-80-513	400	230	80
STN0818-230-80-514	500	230	80
STN0818-230-80-515	600	230	80
STN0818-230-80-516	700	230	80
STN0818-270-100-517	400	270	100
STN0818-270-100-518	500	270	100
STN0818-270-100-519	600	270	100
STN0818-270-100-510	700	270	100
STN0818-310-120-511	400	310	120
STN0818-310-120-512	500	310	120
STN0818-310-120-513	600	310	120
STN0818-310-120-514	700	310	120
STN0818-350-140-515	400	350	140
STN0818-350-140-516	500	350	140
STN0818-350-140-517	600	350	140
STN0818-350-140-518	700	350	140
STN0818-390-160-519	100	390	160
STN0818-390-160-520	150	390	160
STN0818-390-160-521	200	390	160
STN0818-390-160-522	250	390	160
STN0818-390-160-523	300	390	160
STN0818-390-160-524	350	390	160
STN0818-390-160-525	400	390	160
STN0818-390-160-526	450	390	160

REFERANS NO:	F1 (N)	L1 EXTENDED LENGTH AÇIK BOY	L2 STROKE STORK
STN0818-390-160-527	500	390	160
STN0818-390-160-528	600	390	160
STN0818-390-160-529	700	390	160
STN0818-430-180-530	100	430	180
STN0818-430-180-531	150	430	180
STN0818-430-180-532	200	430	180
STN0818-430-180-533	250	430	180
STN0818-430-180-534	300	430	180
STN0818-430-180-535	350	430	180
STN0818-430-180-536	400	430	180
STN0818-430-180-537	500	430	180
STN0818-430-180-538	600	430	180
STN0818-430-180-539	700	430	180
STN0818-470-200-540	100	470	200
STN0818-470-200-541	150	470	200
STN0818-470-200-542	200	470	200
STN0818-470-200-543	250	470	200
STN0818-470-200-544	300	470	200
STN0818-470-200-545	350	470	200
STN0818-470-200-546	400	470	200
STN0818-470-200-547	500	470	200
STN0818-470-200-548	600	470	200
STN0818-470-200-549	700	470	200
STN0818-510-220-550	100	510	220
STN0818-510-220-551	150	510	220
STN0818-510-220-552	200	510	220
STN0818-510-220-553	250	510	220
STN0818-510-220-554	300	510	220

08-18 STAINLESS STEEL LIFT

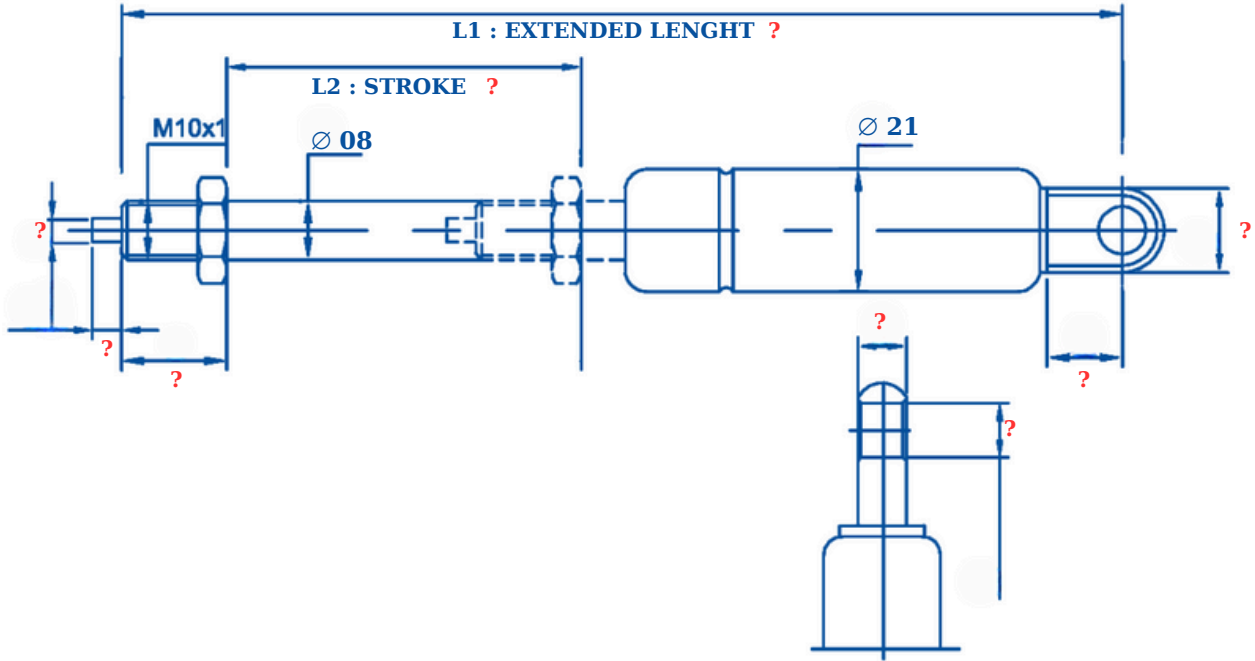


For your custom orders, please provide the information for the points indicated by '?'.
Özel üretim siparişleriniz için "?" ile belirtilen noktaların bilgilerinizi iletiniz.

REFERANS NO:	F1 (N)	L1 EXTENDED LENGTH AÇIK BOY	L2 STROKE STORK
STN0818-190-130-555	200	190	130
STN0818-190-130-556	300	190	130
STN0818-190-130-557	400	190	130
STN0818-190-130-558	500	190	130
STN0818-230-150-559	200	230	150
STN0818-230-150-560	300	230	150
STN0818-230-150-561	400	230	150
STN0818-230-150-562	500	230	150
STN0818-270-170-563	200	270	170
STN0818-270-170-564	300	270	170
STN0818-270-170-565	400	270	170
STN0818-270-170-566	500	270	170
STN0818-310-190-567	200	310	190
STN0818-310-190-568	300	310	190
STN0818-310-190-569	400	310	190
STN0818-310-190-570	500	310	190
STN0818-350-210-571	200	350	210
STN0818-350-210-572	300	350	210
STN0818-350-210-573	400	350	210
STN0818-350-210-574	500	350	210
STN0818-390-230-575	100	390	230
STN0818-390-230-576	150	390	230
STN0818-390-230-577	200	390	230
STN0818-390-230-578	250	390	230
STN0818-390-230-579	300	390	230
STN0818-390-230-580	350	390	230
STN0818-390-230-581	375	390	230
STN0818-390-230-582	400	390	230

REFERANS NO:	F1 (N)	L1 EXTENDED LENGTH AÇIK BOY	L2 STROKE STORK
STN0818-435-255-583	100	435	255
STN0818-435-255-584	150	435	255
STN0818-435-255-585	200	435	255
STN0818-435-255-586	250	435	255
STN0818-435-255-587	300	435	255
STN0818-435-255-588	350	435	255
STN0818-435-255-589	375	435	255
STN0818-435-255-590	400	435	255
STN0818-485-285-591	100	485	285
STN0818-485-285-592	150	485	285
STN0818-485-285-593	200	485	285
STN0818-485-285-594	250	485	285
STN0818-485-285-595	300	485	285
STN0818-485-285-596	350	485	285
STN0818-485-285-597	375	485	285
STN0818-485-285-598	400	485	285
STN0818-525-305-599	100	525	305
STN0818-525-305-600	150	525	305
STN0818-525-305-601	200	525	305
STN0818-525-305-602	250	525	305
STN0818-525-305-603	300	525	305
STN0818-525-305-604	350	525	305
STN0818-525-305-605	375	525	305
STN0818-525-305-606	400	525	305
STN0818-585-335-607	100	585	335
STN0818-585-335-608	150	585	335
STN0818-585-335-609	200	585	335
STN0818-585-335-610	250	585	335

08-21 ELASTİC BLOCK LIFT

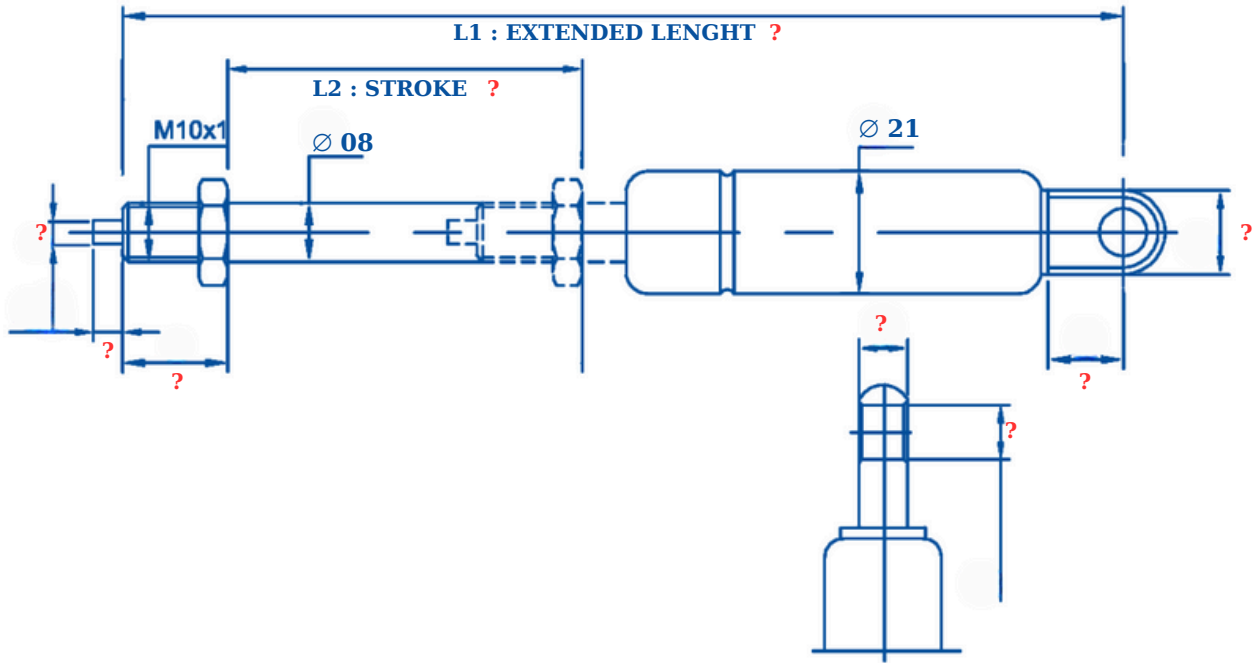


For your custom orders, please provide the information for the points indicated by '?'.
Özel üretim siparişleriniz için "?" ile belirtilen noktaların bilgilerinizi iletiniz.

REFERANS NO:	F1 (N)	L1 EXTENDED LENGTH AÇIK BOY	L2 STROKE STORK
STN0821-150-20-611	200	150	20
STN0821-150-20-612	300	150	20
STN0821-150-20-613	400	150	20
STN0821-150-20-614	500	150	20
STN0821-150-20-615	600	150	20
STN0821-150-20-616	700	150	20
STN08121-160-25-617	200	160	25
STN0821-160-25-618	300	160	25
STN0821-160-25-619	400	160	25
STN0821-160-25-620	500	160	25
STN0821-160-25-621	600	160	25
STN0821-160-25-622	700	160	25
STN0821-175-30-623	200	175	30
STN0821-175-30-624	250	175	30
STN0821-175-30-625	300	175	30
STN0821-175-30-626	350	175	30
STN0821-175-30-627	400	175	30
STN0821-175-30-628	450	175	30
STN0821-175-30-629	500	175	30
STN0821-175-30-630	600	175	30
STN0821-175-30-631	700	175	30
STN0821-190-40-632	200	190	40
STN0821-190-40-633	250	190	40
STN0821-190-40-634	300	190	40
STN0821-190-40-635	350	190	40
STN0821-190-40-636	400	190	40
STN0821-190-40-637	450	190	40
STN0821-190-40-638	500	190	40

REFERANS NO:	F1 (N)	L1 EXTENDED LENGTH AÇIK BOY	L2 STROKE STORK
STN0821-190-40-639	600	190	40
STN0821-190-40-640	700	190	40
STN0821-230-60-641	200	230	60
STN0821-230-60-642	250	230	60
STN0821-230-60-643	300	230	60
STN0821-230-60-644	350	230	60
STN0821-230-60-645	400	230	60
STN0821-230-60-646	450	230	60
STN0821-230-60-647	500	230	60
STN0821-230-60-648	600	230	60
STN0821-230-60-649	700	230	60
STN0821-270-80-650	200	270	80
STN0821-270-80-651	250	270	80
STN0821-270-80-652	300	270	80
STN0821-270-80-653	350	270	80
STN0821-270-80-654	400	270	80
STN0821-270-80-655	450	270	80
STN0821-270-80-656	500	270	80
STN0821-270-80-657	600	270	80
STN0821-270-80-658	700	270	80
STN0821-310-100-659	250	310	100
STN0821-310-100-660	300	310	100
STN0821-310-100-661	350	310	100
STN0821-310-100-662	400	310	100
STN0821-310-100-663	450	310	100
STN0821-310-100-664	500	310	100
STN0821-310-100-665	600	310	100
STN0821-310-100-666	700	310	100

08-21 RIGID BLOCK LIFT

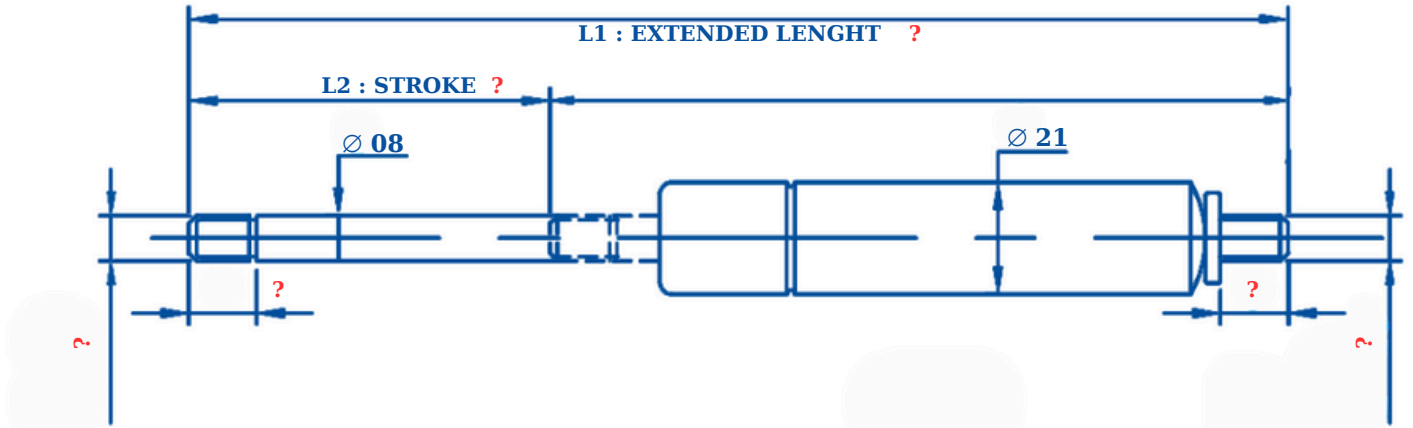


For your custom orders, please provide the information for the points indicated by '?'.
Özel üretim siparişleriniz için "?" ile belirtilen noktaların bilgilerinizi iletiniz.

REFERANS NO:	F1 (N)	L1 EXTENDED LENGTH AÇIK BOY	L2 STROKE STORK
STN0821-160-20-667	200	160	20
STN0821-160-20-668	300	160	20
STN0821-160-20-669	400	160	20
STN0821-160-20-670	500	160	20
STN0821-160-20-671	600	160	20
STN0821-160-20-672	700	160	20
STN0821-170-20-673	200	170	25
STN0821-170-20-674	300	170	25
STN0821-170-20-675	400	170	25
STN0821-170-20-676	500	170	25
STN0821-170-20-677	600	170	25
STN0821-170-20-678	700	170	25
STN0821-185-30-679	200	185	30
STN0821-185-30-680	250	185	30
STN0821-185-30-681	300	185	30
STN0821-185-30-682	350	185	30
STN0821-185-30-683	400	185	30
STN0821-185-30-684	450	185	30
STN0821-185-30-685	500	185	30
STN0821-185-30-686	600	185	30
STN0821-185-30-687	700	185	30
STN0821-210-40-688	200	210	40
STN0821-210-40-689	250	210	40
STN0821-210-40-690	300	210	40
STN0821-210-40-691	350	210	40
STN0821-210-40-692	400	210	40
STN0821-210-40-693	450	210	40
STN0821-210-40-694	500	210	40

REFERANS NO:	F1 (N)	L1 EXTENDED LENGTH AÇIK BOY	L2 STROKE STORK
STN0821-210-40-695	600	210	40
STN0821-210-40-696	700	210	40
STN0821-255-60-697	200	255	60
STN0821-255-60-698	250	255	60
STN0821-255-60-699	300	255	60
STN0821-255-60-700	350	255	60
STN0821-255-60-701	400	255	60
STN0821-255-60-702	450	255	60
STN0821-255-60-703	500	255	60
STN0821-255-60-704	600	255	60
STN0821-255-60-705	700	255	60
STN0821-305-80-706	250	305	80
STN0821-305-80-707	300	305	80
STN0821-305-80-708	350	305	80
STN0821-305-80-709	400	305	80
STN0821-305-80-710	400	305	80
STN0821-305-80-711	450	305	80
STN0821-305-80-712	500	305	80
STN0821-305-80-713	600	305	80
STN0821-305-80-714	700	305	80
STN0821-355-100-715	200	355	100
STN0821-355-100-716	250	355	100
STN0821-355-100-717	300	355	100
STN0821-355-100-718	350	355	100
STN0821-355-100-719	400	355	100
STN0821-355-100-720	500	355	100
STN0821-355-100-721	600	355	100
STN0821-355-100-722	700	355	100

08-21 THREADED ENDS LIFT

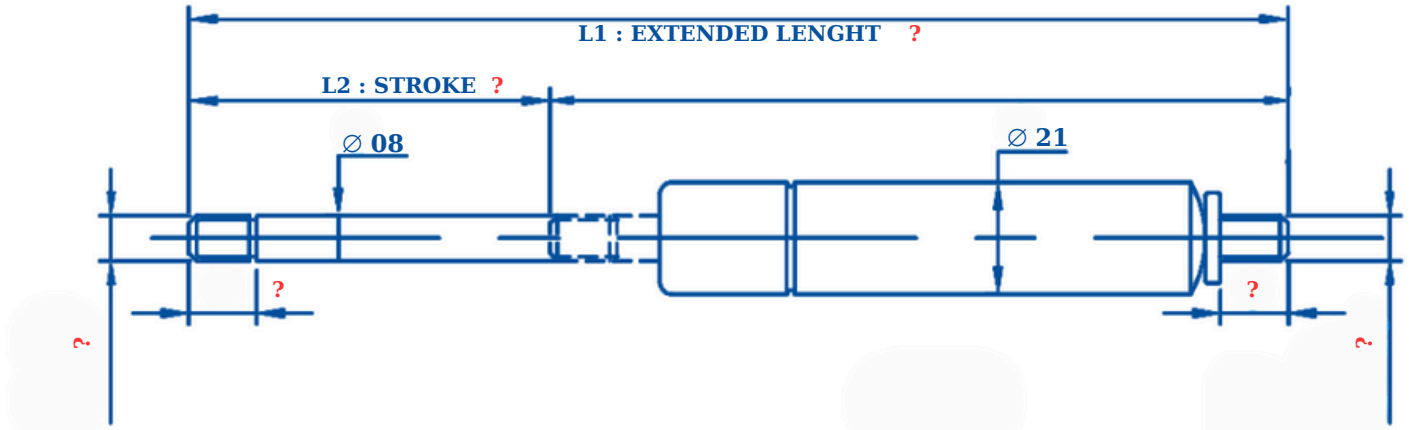


For your custom orders, please provide the information for the points indicated by '?'.
Özel üretim siparişleriniz için "?" ile belirtilen noktaların bilgilerinizi iletiniz.

REFERANS NO:	F1 (N)	L1 EXTENDED LENGTH AÇIK BOY	L2 STROKE STORK
STN0821-190-60-723	400	190	60
STN0821-190-60-724	500	190	60
STN0821-190-60-725	600	190	60
STN0821-190-60-726	700	190	60
STN0821-230-80-727	400	230	80
STN0821-230-80-728	500	230	80
STN0821-230-80-729	600	230	80
STN0821-230-80-730	700	230	80
STN0821-270-100-731	400	270	100
STN0821-270-100-732	500	270	100
STN0821-270-100-733	600	270	100
STN0821-270-100-734	700	270	100
STN0821-310-120-735	400	310	120
STN0821-310-120-736	500	310	120
STN0821-310-120-737	600	310	120
STN0821-310-120-738	700	310	120
STN0821-350-140-739	400	350	140
STN0821-350-140-740	500	350	140
STN0821-350-140-741	600	350	140
STN0821-350-140-742	700	350	140
STN0821-390-160-743	100	390	160
STN0821-390-160-744	150	390	160
STN0821-390-160-745	200	390	160
STN0821-390-160-746	250	390	160
STN0821-390-160-747	300	390	160
STN0821-390-160-748	350	390	160
STN0821-390-160-749	400	390	160
STN0821-390-160-750	450	390	160

REFERANS NO:	F1 (N)	L1 EXTENDED LENGTH AÇIK BOY	L2 STROKE STORK
STN0821-390-160-751	500	390	160
STN0821-390-160-752	600	390	160
STN0821-390-160-753	700	390	160
STN0821-430-180-754	100	430	180
STN0821-430-180-755	150	430	180
STN0821-430-180-756	200	430	180
STN0821-430-180-757	250	430	180
STN0821-430-180-758	300	430	180
STN0821-430-180-759	350	430	180
STN0821-430-180-760	400	430	180
STN0821-430-180-761	500	430	180
STN0821-430-180-762	600	430	180
STN0821-430-180-763	700	430	180
STN0821-470-200-764	100	470	200
STN0821-470-200-765	150	470	200
STN0821-470-200-766	200	470	200
STN0821-470-200-767	250	470	200
STN0821-470-200-768	300	470	200
STN0821-470-200-769	350	470	200
STN0821-470-200-770	400	470	200
STN0821-470-200-771	500	470	200
STN0821-470-200-772	600	470	200
STN0821-470-200-773	700	470	200
STN0821-510-220-774	100	510	220
STN0821-510-220-775	150	510	220
STN0821-510-220-776	200	510	220
STN0821-510-220-777	250	510	220
STN0821-510-220-778	300	510	220

08-21 STAINLESS STEEL LIFT

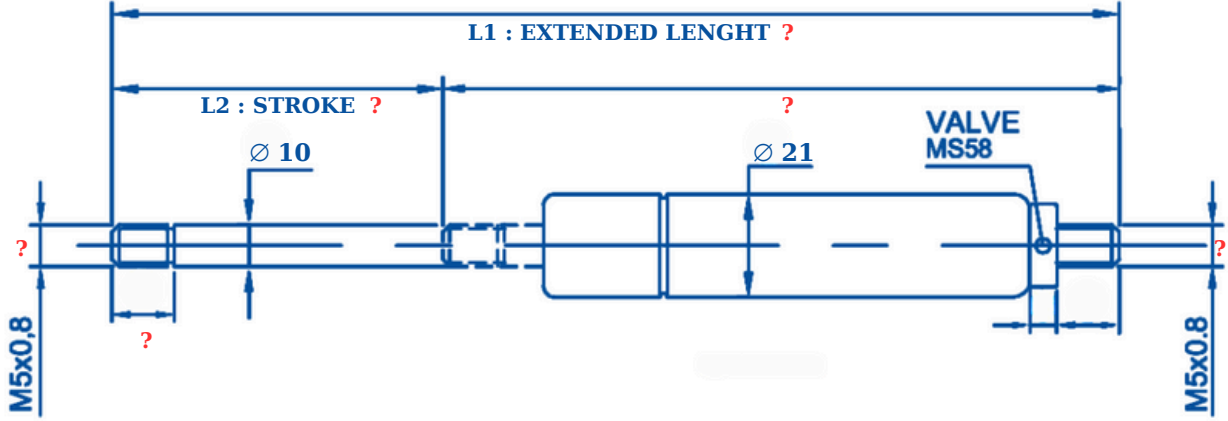


For your custom orders, please provide the information for the points indicated by '?'.
 Özel üretim siparişleriniz için "?" ile belirtilen noktaların bilgilerinizi iletiniz.

REFERANS NO:	F1 (N)	L1 EXTENDED LENGTH AÇIK BOY	L2 STROKE STORK
STN0818-190-130-555	200	190	130
STN0818-190-130-556	300	190	130
STN0818-190-130-557	400	190	130
STN0818-190-130-558	500	190	130
STN0818-230-150-559	200	230	150
STN0818-230-150-560	300	230	150
STN0818-230-150-561	400	230	150
STN0818-230-150-562	500	230	150
STN0818-270-170-563	200	270	170
STN0818-270-170-564	300	270	170
STN0818-270-170-565	400	270	170
STN0818-270-170-566	500	270	170
STN0818-310-190-567	200	310	190
STN0818-310-190-568	300	310	190
STN0818-310-190-569	400	310	190
STN0818-310-190-570	500	310	190
STN0818-350-210-571	200	350	210
STN0818-350-210-572	300	350	210
STN0818-350-210-573	400	350	210
STN0818-350-210-574	500	350	210
STN0818-390-230-575	100	390	230
STN0818-390-230-576	150	390	230
STN0818-390-230-577	200	390	230
STN0818-390-230-578	250	390	230
STN0818-390-230-579	300	390	230
STN0818-390-230-580	350	390	230
STN0818-390-230-581	375	390	230
STN0818-390-230-582	400	390	230

REFERANS NO:	F1 (N)	L1 EXTENDED LENGTH AÇIK BOY	L2 STROKE STORK
STN0818-435-255-583	100	435	255
STN0818-435-255-584	150	435	255
STN0818-435-255-585	200	435	255
STN0818-435-255-586	250	435	255
STN0818-435-255-587	300	435	255
STN0818-435-255-588	350	435	255
STN0818-435-255-589	375	435	255
STN0818-435-255-590	400	435	255
STN0818-485-285-591	100	485	285
STN0818-485-285-592	150	485	285
STN0818-485-285-593	200	485	285
STN0818-485-285-594	250	485	285
STN0818-485-285-595	300	485	285
STN0818-485-285-596	350	485	285
STN0818-485-285-597	375	485	285
STN0818-485-285-598	400	485	285
STN0818-525-305-599	100	525	305
STN0818-525-305-600	150	525	305
STN0818-525-305-601	200	525	305
STN0818-525-305-602	250	525	305
STN0818-525-305-603	300	525	305
STN0818-525-305-604	350	525	305
STN0818-525-305-605	375	525	305
STN0818-525-305-606	400	525	305
STN0818-585-335-607	100	585	335
STN0818-585-335-608	150	585	335
STN0818-585-335-609	200	585	335
STN0818-585-335-610	250	585	335

10-21 VALVE LIFT

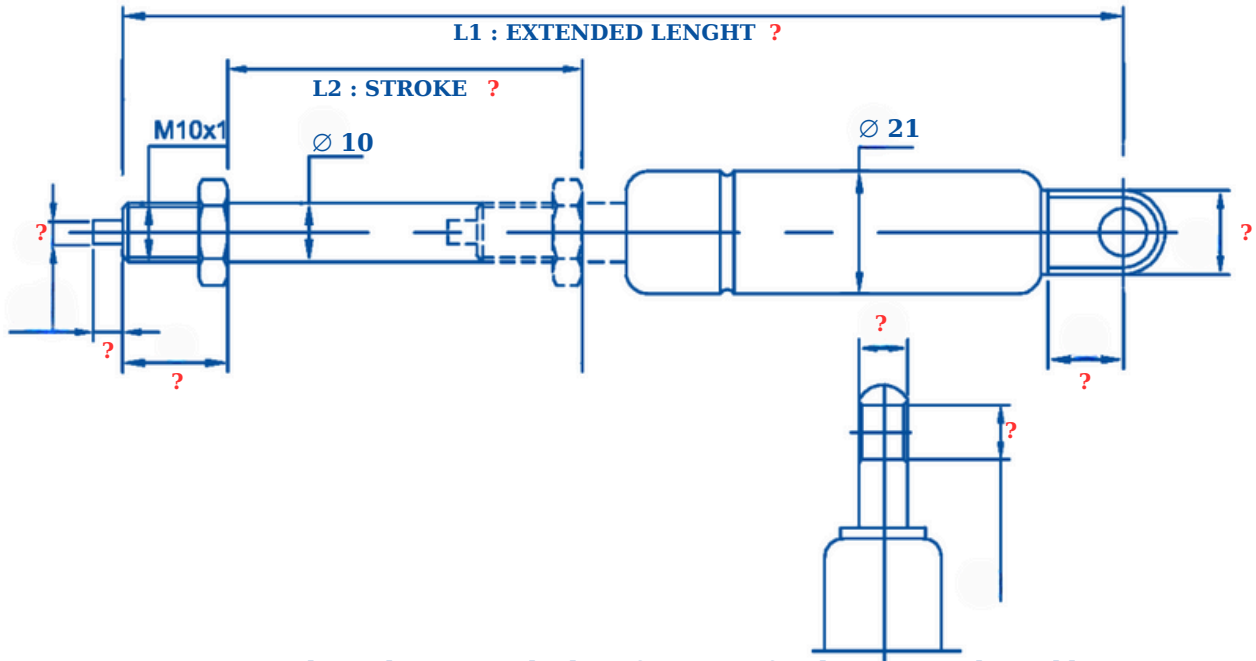


For your custom orders, please provide the information for the points indicated by '?'.
Özel üretim siparişleriniz için "?" ile belirtilen noktaların bilgilerinizi iletiniz.

REFERANS NO:	F1 (N)	L1 EXTENDED LENGTH AÇIK BOY	L2 STROKE STORK
STN1021-280-100-611	900	280	100
STN1021-280-100-612	1000	280	100
STN1021-280-100-613	1150	280	100
STN1021-380-150-614	900	380	150
STN1021-380-150-615	1000	380	150
STN1021-380-150-616	1150	380	150
STN1021-480-200-617	900	480	200
STN1021-480-200-618	1000	480	200
STN1021-480-200-619	1150	480	200
STN1021-580-250-620	900	580	250
STN1021-580-250-621	1000	580	250
STN1021-580-250-623	1150	580	250
STN1021-690-300-624	150	690	300
STN1021-690-300-625	200	690	300
STN1021-690-300-626	250	690	300
STN1021-690-300-627	300	690	300
STN1021-690-300-628	350	690	300
STN1021-690-300-629	400	690	300
STN1021-690-300-630	500	690	300
STN1021-690-300-631	600	690	300
STN1021-690-300-632	700	690	300
STN1021-690-300-633	800	690	300
STN1021-690-300-634	900	690	300
STN1021-690-300-635	1000	690	300
STN1021-690-300-636	1150	690	300

REFERANS NO:	F1 (N)	L1 EXTENDED LENGTH AÇIK BOY	L2 STROKE STORK
STN1021-790-350-639	150	790	350
STN1021-790-350-640	200	790	350
STN1021-790-350-641	250	790	350
STN1021-790-350-642	300	790	350
STN1021-790-350-643	350	790	350
STN1021-790-350-644	400	790	350
STN1021-790-350-645	500	790	350
STN1021-790-350-646	600	790	350
STN1021-790-350-647	700	790	350
STN1021-790-350-648	800	790	350
STN1021-790-350-649	900	790	350
STN1021-790-350-650	1000	790	350
STN1021-790-350-651	1150	790	350
STN1021-790-350-652	150	890	400
STN1021-790-350-653	200	890	400
STN1021-790-350-654	250	890	400
STN1021-790-350-655	300	890	400
STN1021-790-350-656	350	890	400
STN1021-790-350-657	400	890	400
STN1021-790-350-658	500	890	400
STN1021-790-350-659	600	890	400
STN1021-790-350-660	700	890	400
STN1021-790-350-661	800	890	400
STN1021-790-350-662	900	890	400
STN1021-790-350-663	1000	890	400
STN1021-790-350-664	1150	890	400

10-21 ELASTIC BLOCK LIFT

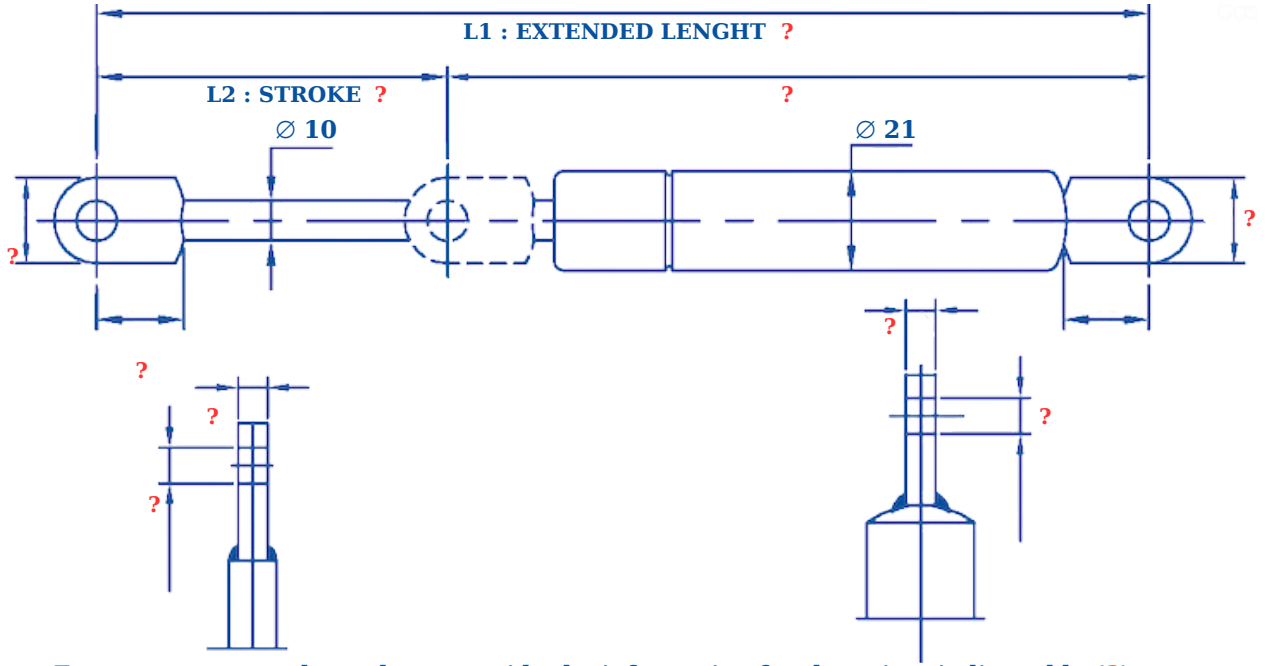


For your custom orders, please provide the information for the points indicated by '?'.
Özel üretim siparişleriniz için "?" ile belirtilen noktaların bilgilerinizi iletiniz.

REFERANS NO:	F1 (N)	L1 EXTENDED LENGTH AÇIK BOY	L2 STROKE STORK
STN1021-155-20-665	300	155	20
STN1021-155-20-666	350	155	20
STN1021-155-20-667	400	155	20
STN1021-155-20-668	500	155	20
STN1021-155-20-669	600	155	20
STN1021-155-20-670	800	155	20
STN1021-155-20-671	1000	155	20
STN1021-155-20-672	1200	155	20
STN1021-165-25-673	250	165	25
STN1021-165-25-674	300	165	25
STN1021-165-25-675	350	165	25
STN1021-165-25-676	400	165	25
STN1021-165-25-677	500	165	25
STN1021-165-25-678	600	165	25
STN1021-165-25-679	800	165	25
STN1021-165-25-680	1000	165	25
STN1021-165-25-681	1200	165	25
STN1021-175-30-682	250	175	30
STN1021-175-30-683	300	175	30
STN1021-175-30-684	350	175	30
STN1021-175-30-685	400	175	30
STN1021-175-30-686	500	175	30
STN1021-175-30-687	600	175	30
STN1021-175-30-688	800	175	30
STN1021-175-30-689	1000	175	30
STN1021-175-30-690	1200	175	30
STN1021-195-40-691	450	195	40
STN1021-195-40-692	500	195	40

REFERANS NO:	F1 (N)	L1 EXTENDED LENGTH AÇIK BOY	L2 STROKE STORK
STN1021-195-40-693	600	195	40
STN1021-195-40-694	800	195	40
STN1021-195-40-695	1000	195	40
STN1021-195-40-696	1200	195	40
STN1021-235-60-697	200	235	60
STN1021-235-60-698	250	235	60
STN1021-235-60-699	300	235	60
STN1021-235-60-700	350	235	60
STN1021-235-60-701	400	235	60
STN1021-235-60-702	500	235	60
STN1021-235-60-703	600	235	60
STN1021-235-60-704	800	235	60
STN1021-235-60-705	1000	235	60
STN1021-235-60-706	1200	235	60
STN1021-275-80-707	200	275	80
STN1021-275-80-708	250	275	80
STN1021-275-80-709	300	275	80
STN1021-275-80-710	350	275	80
STN1021-275-80-711	400	275	80
STN1021-275-80-712	500	275	80
STN1021-275-80-713	600	275	80
STN1021-275-80-714	800	275	80
STN1021-275-80-715	1000	275	80
STN1021-275-80-716	1200	275	80
STN1021-315-100-717	200	315	100
STN1021-315-100-718	400	315	100
STN1021-315-100-719	600	315	100
STN1021-315-100-720	1000	315	100

10-21 WELDED EYES LIFT

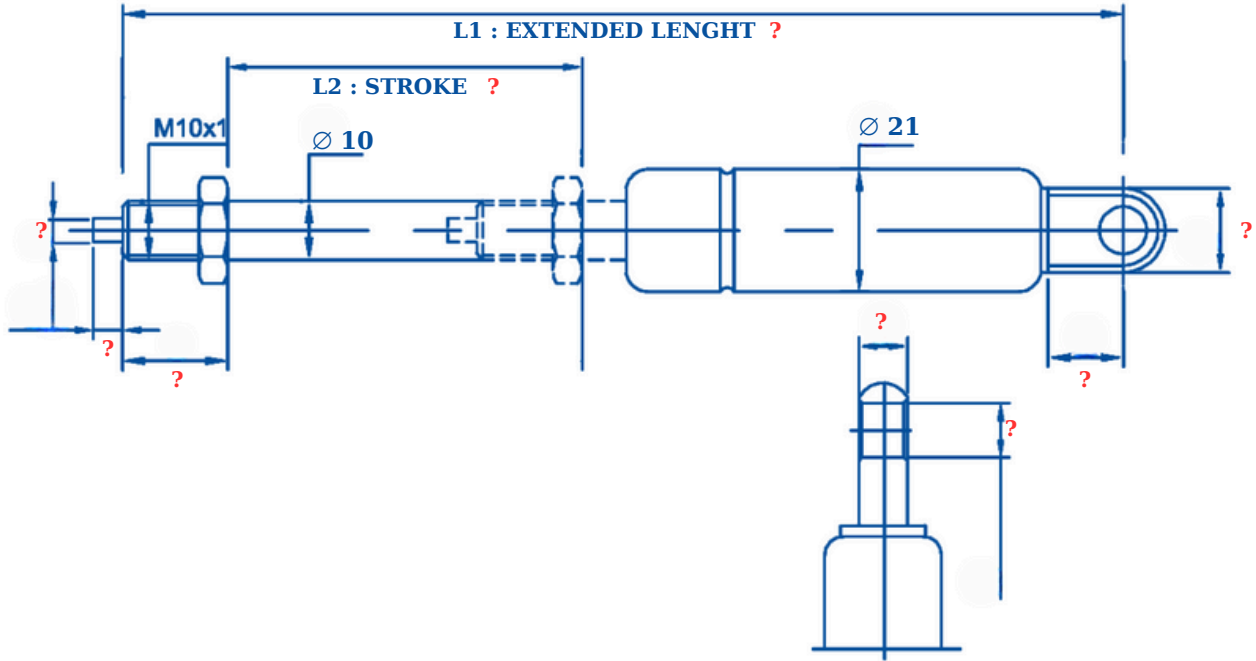


For your custom orders, please provide the information for the points indicated by '?'.
Özel üretim siparişleriniz için "?" ile belirtilen noktaların bilgilerinizi iletiniz.

REFERANS NO:	F1 (N)	L1 EXTENDED LENGTH AÇIK BOY	L2 STROKE STORK
STN1021-285-95-721	900	285	95
STN1021-285-95-722	1000	285	95
STN1021-285-95-723	1150	285	95
STN1021-385-145-724	900	385	145
STN1021-385-145-725	1000	385	145
STN1021-385-145-726	1150	385	145
STN1021-485-195-727	900	485	195
STN1021-485-195-728	1000	485	195
STN1021-485-195-729	1150	485	195
STN1021-685-295-730	150	685	295
STN1021-685-295-731	200	685	295
STN1021-685-295-732	250	685	295
STN1021-685-295-733	300	685	295
STN1021-685-295-734	350	685	295
STN1021-685-295-735	400	685	295
STN1021-685-295-736	500	685	295
STN1021-685-295-737	600	685	295
STN1021-685-295-738	700	685	295
STN1021-685-295-739	800	685	295
STN1021-685-295-740	900	685	295
STN1021-685-295-741	1000	685	295
STN1021-685-295-742	1150	685	295
STN1021-785-345-743	150	785	345
STN1021-785-345-744	200	785	345
STN1021-785-345-745	250	785	345
STN1021-785-345-746	300	785	345
STN1021-785-345-747	350	785	345
STN1021-785-345-748	400	785	345

REFERANS NO:	F1 (N)	L1 EXTENDED LENGTH AÇIK BOY	L2 STROKE STORK
STN1021-785-345-749	500	785	345
STN1021-785-345-750	600	785	345
STN1021-785-345-751	700	785	345
STN1021-785-345-752	800	785	345
STN1021-785-345-753	900	785	345
STN1021-785-345-754	1000	785	345
STN1021-785-345-755	1150	785	345
STN1021-885-395-756	150	885	395
STN1021-885-395-757	200	885	395
STN1021-885-395-758	250	885	395
STN1021-885-395-759	300	885	395
STN1021-885-395-760	350	885	395
STN1021-885-395-761	400	885	395
STN1021-885-395-762	500	885	395
STN1021-885-395-763	600	885	395
STN1021-885-395-764	700	885	395
STN1021-885-395-765	800	885	395
STN1021-885-395-766	900	885	395
STN1021-885-395-767	1000	885	395
STN1021-585-245-768	900	585	245
STN1021-585-245-769	1000	585	245
STN1021-585-245-770	1150	585	245

10-21 RIGID BLOCK LIFT

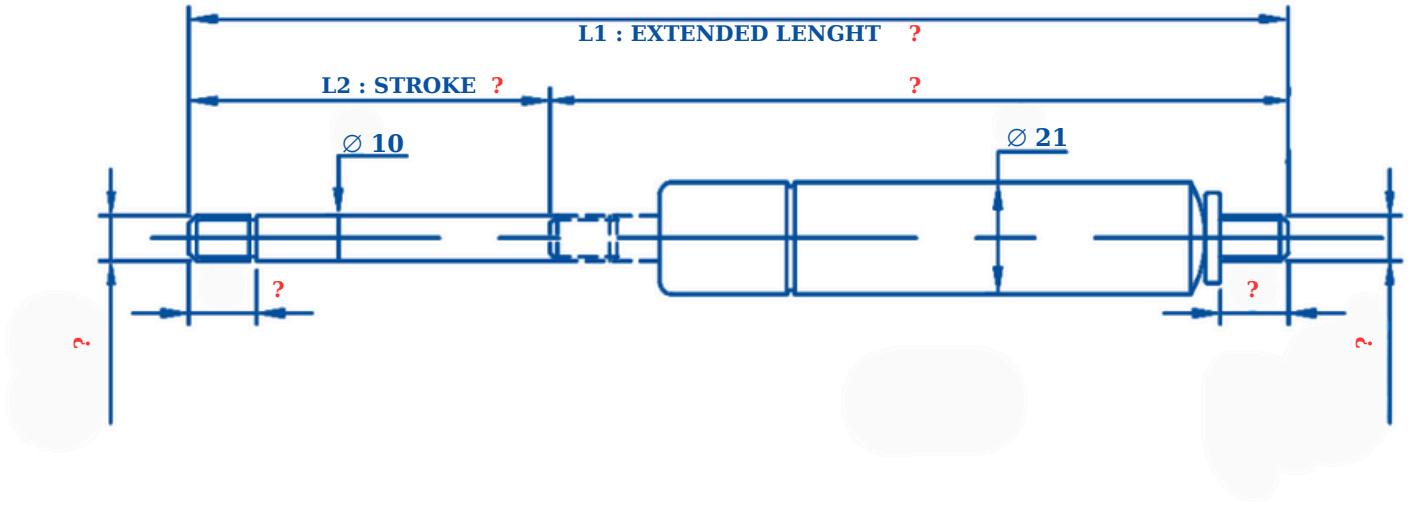


For your custom orders, please provide the information for the points indicated by '?'.
Özel üretim siparişleriniz için "?" ile belirtilen noktaların bilgilerinizi iletiniz.

REFERANS NO:	F1 (N)	L1 EXTENDED LENGTH AÇIK BOY	L2 STROKE STORK
STN1021-180-20-771	400	180	20
STN1021-180-20-772	500	180	20
STN1021-180-20-773	600	180	20
STN1021-180-20-774	800	180	20
STN1021-180-20-775	1000	180	20
STN1021-180-20-776	1200	180	20
STN1021-195-25-777	400	195	25
STN1021-195-25-778	500	195	25
STN1021-195-25-779	600	195	25
STN1021-195-25-780	800	195	25
STN1021-195-25-781	1000	195	25
STN1021-195-25-782	1200	195	25
STN1021-210-30-783	300	210	30
STN1021-210-30-784	400	210	30
STN1021-210-30-785	500	210	30
STN1021-210-30-786	600	210	30
STN1021-210-30-787	800	210	30
STN1021-210-30-788	1000	210	30
STN1021-210-30-789	1200	210	30
STN1021-230-40-790	300	230	40
STN1021-230-40-791	400	230	40
STN1021-230-40-792	500	230	40
STN1021-230-40-793	600	230	40
STN1021-230-40-794	800	230	40
STN1021-230-40-795	1000	230	40
STN1021-230-40-796	1200	230	40
STN1021-280-60-797	300	280	60
STN1021-280-60-798	400	280	60

REFERANS NO:	F1 (N)	L1 EXTENDED LENGTH AÇIK BOY	L2 STROKE STORK
STN1021-280-60-799	500	280	60
STN1021-280-60-800	600	280	60
STN1021-280-60-801	800	280	60
STN1021-280-60-802	1000	280	60
STN1021-330-80-803	200	330	80
STN1021-330-80-804	300	330	80
STN1021-330-80-805	400	330	80
STN1021-330-80-806	500	330	80
STN1021-330-80-807	600	330	80
STN1021-330-80-808	800	330	80
STN1021-330-80-809	1000	330	80
STN1021-385-100-810	200	385	100
STN1021-385-100-811	300	385	100
STN1021-385-100-812	400	385	100
STN1021-385-100-813	500	385	100
STN1021-385-100-814	600	385	100
STN1021-385-100-815	800	385	100
STN1021-440-120-816	200	440	120
STN1021-440-120-817	300	440	120
STN1021-440-120-818	400	440	120
STN1021-440-120-819	500	440	120
STN1021-440-120-820	600	440	120
STN1021-440-120-821	800	440	120
STN1021-555-160-822	200	555	160
STN1021-555-160-823	300	555	160
STN1021-555-160-824	400	555	160
STN1021-555-160-825	500	555	160
STN1021-555-160-826	600	555	160

10-21 THREADED ENDS LIFT

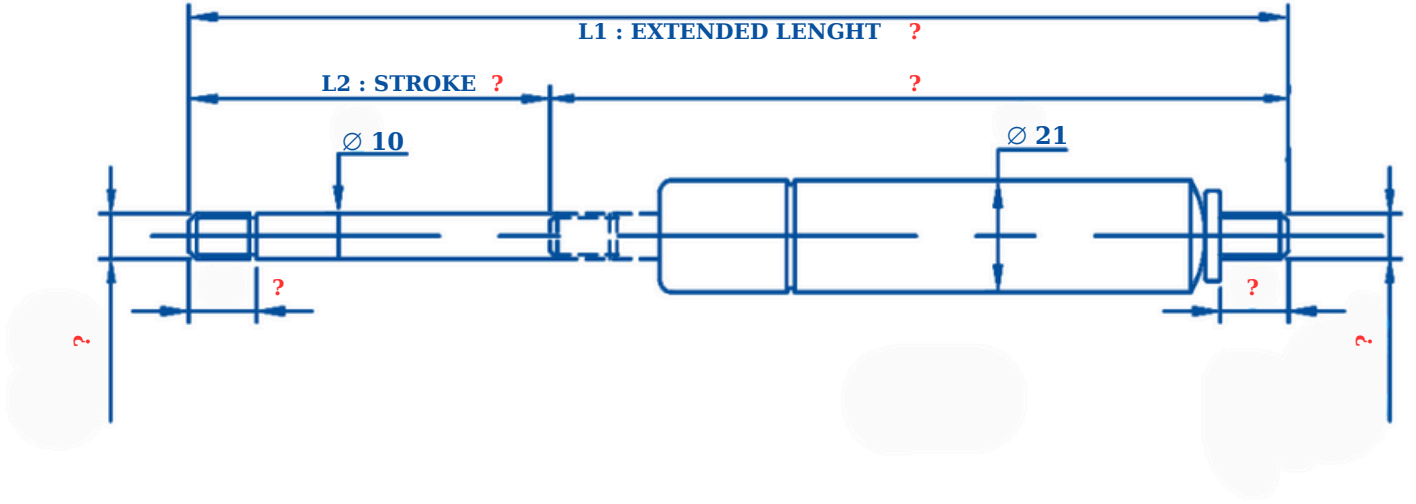


For your custom orders, please provide the information for the points indicated by '?'.
 Özel üretim siparişleriniz için "?" ile belirtilen noktaların bilgilerinizi iletiniz.

REFERANS NO:	F1 (N)	L1 EXTENDED LENGTH AÇIK BOY	L2 STROKE STORK
STN1021-270-100-827	900	270	100
STN1021-270-100-828	1000	270	100
STN1021-270-100-829	1150	270	100
STN1021-370-150-830	900	370	150
STN1021-370-150-831	1000	370	150
STN1021-370-150-832	1150	370	150
STN1021-470-200-833	900	470	200
STN1021-470-200-834	1000	470	200
STN1021-470-200-835	1150	470	200
STN1021-570-250-836	900	570	250
STN1021-570-250-837	1000	570	250
STN1021-570-250-838	1150	570	250
STN1021-685-300-839	150	685	300
STN1021-685-300-840	200	685	300
STN1021-685-300-841	250	685	300
STN1021-685-300-842	300	685	300
STN1021-685-300-843	350	685	300
STN1021-685-300-844	400	685	300
STN1021-685-300-845	500	685	300
STN1021-685-300-846	600	685	300
STN1021-685-300-847	700	685	300
STN1021-685-300-848	800	685	300
STN1021-685-300-849	900	685	300
STN1021-685-300-850	1000	685	300
STN1021-685-300-851	1150	685	300

REFERANS NO:	F1 (N)	L1 EXTENDED LENGTH AÇIK BOY	L2 STROKE STORK
STN1021-785-350-852	150	785	350
STN1021-785-350-853	200	785	350
STN1021-785-350-854	250	785	350
STN1021-785-350-855	300	785	350
STN1021-785-350-856	350	785	350
STN1021-785-350-857	400	785	350
STN1021-785-350-858	500	785	350
STN1021-785-350-859	600	785	350
STN1021-785-350-860	700	785	350
STN1021-785-350-861	800	785	350
STN1021-785-350-862	900	785	350
STN1021-785-350-863	1000	785	350
STN1021-785-350-864	1150	785	350
STN1021-885-400-865	150	885	400
STN1021-885-400-866	200	885	400
STN1021-885-400-867	250	885	400
STN1021-885-400-868	300	885	400
STN1021-885-400-869	350	885	400
STN1021-885-400-870	400	885	400
STN1021-885-400-871	500	885	400
STN1021-885-400-872	600	885	400
STN1021-885-400-873	700	885	400
STN1021-885-400-874	800	885	400
STN1021-885-400-875	900	885	400
STN1021-885-400-876	1000	885	400

10-21 STAINLESS STEEL LIFT

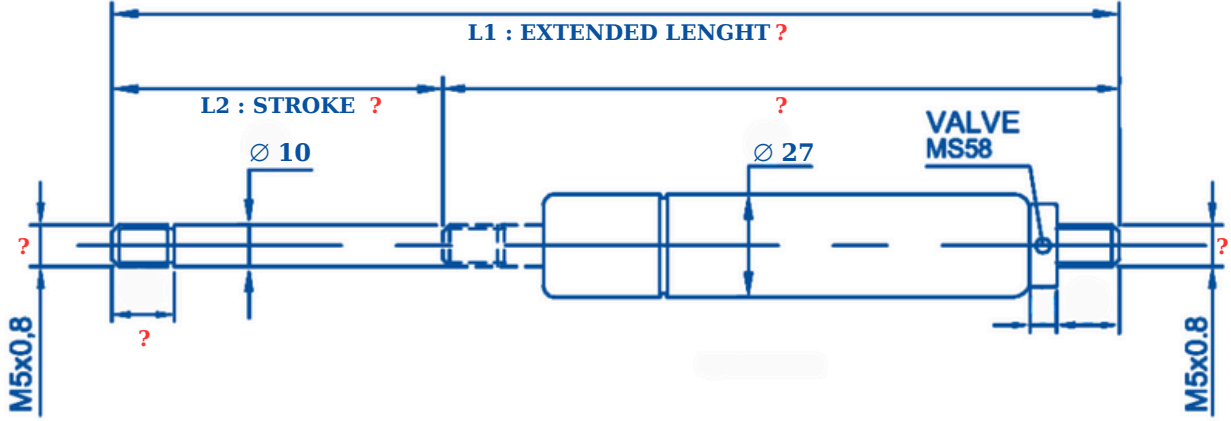


For your custom orders, please provide the information for the points indicated by '?'.
Özel üretim siparişleriniz için "?" ile belirtilen noktaların bilgilerinizi iletiniz.

REFERANS NO:	F1 (N)	L1 EXTENDED LENGTH AÇIK BOY	L2 STROKE STORK
STN1021-270-100-877	700	270	100
STN1021-270-100-878	800	270	100
STN1021-270-100-879	900	270	100
STN1021-370-150-880	700	370	150
STN1021-370-150-881	800	370	150
STN1021-370-150-882	900	370	150
STN1021-470-200-883	700	470	200
STN1021-470-200-884	800	470	200
STN1021-470-200-885	900	470	200
STN1021-570-250-886	700	570	250
STN1021-570-250-887	800	570	250
STN1021-570-250-888	900	570	250
STN1021-690-300-889	150	690	300
STN1021-690-300-890	200	690	300
STN1021-690-300-891	250	690	300
STN1021-690-300-892	300	690	300
STN1021-690-300-893	350	690	300
STN1021-690-300-894	400	690	300
STN1021-690-300-895	500	690	300
STN1021-690-300-896	600	690	300
STN1021-690-300-897	700	690	300
STN1021-690-300-898	750	690	300
STN1021-690-300-899	800	690	300
STN1021-690-300-900	850	690	300
STN1021-690-300-901	900	690	300

REFERANS NO:	F1 (N)	L1 EXTENDED LENGTH AÇIK BOY	L2 STROKE STORK
STN1021-790-350-902	150	790	350
STN1021-790-350-903	200	790	350
STN1021-790-350-904	250	790	350
STN1021-790-350-905	300	790	350
STN1021-790-350-906	350	790	350
STN1021-790-350-907	400	790	350
STN1021-790-350-908	500	790	350
STN1021-790-350-909	600	790	350
STN1021-790-350-910	700	790	350
STN1021-790-350-911	750	790	350
STN1021-790-350-912	800	790	350
STN1021-790-350-913	850	790	350
STN1021-790-350-914	900	790	350
STN1021-890-400-915	150	890	400
STN1021-890-400-916	200	890	400
STN1021-890-400-917	250	890	400
STN1021-890-400-918	300	890	400
STN1021-890-400-919	350	890	400
STN1021-890-400-920	400	890	400
STN1021-890-400-921	450	890	400
STN1021-890-400-922	500	890	400
STN1021-890-400-923	550	890	400
STN1021-890-400-924	600	890	400
STN1021-890-400-925	650	890	400
STN1021-890-400-926	700	890	400

10-27 VALVE LIFT

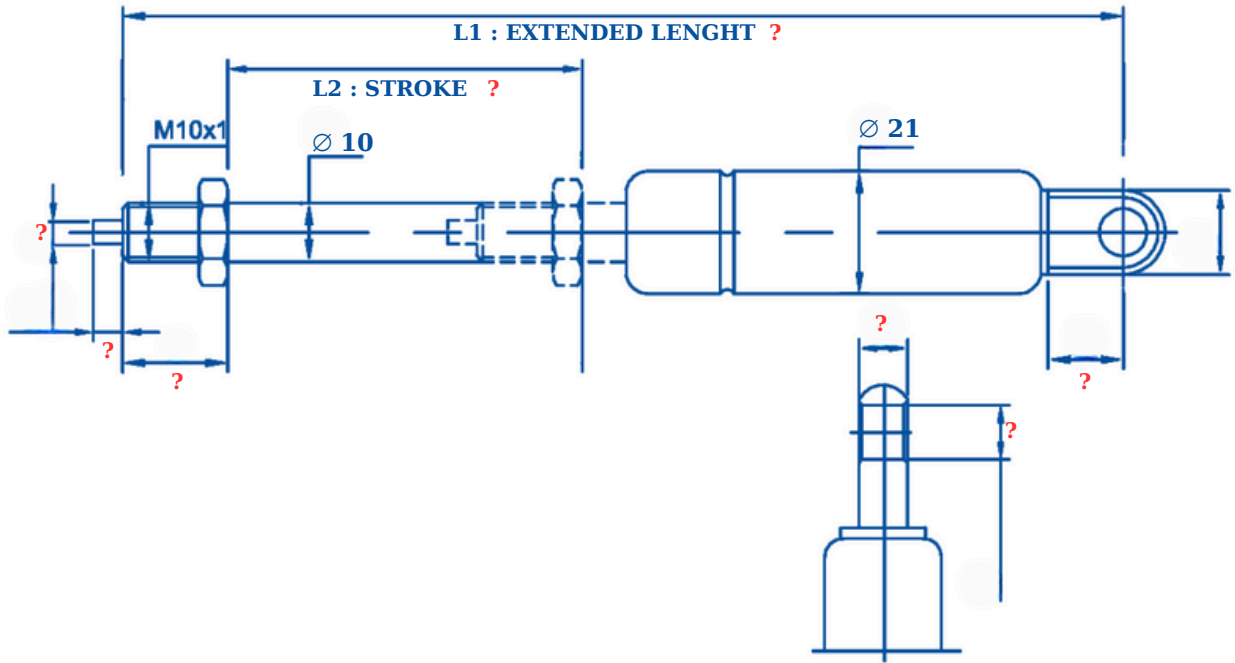


For your custom orders, please provide the information for the points indicated by '?'.
Özel üretim siparişleriniz için "?" ile belirtilen noktaların bilgilerinizi iletiniz.

REFERANS NO:	F1 (N)	L1 EXTENDED LENGTH AÇIK BOY	L2 STROKE STORK
STN1027-280-100-927	900	280	100
STN1027-280-100-928	1000	280	100
STN1027-280-100-929	1150	280	100
STN1027-380-150-930	900	380	150
STN1027-380-150-931	1000	380	150
STN1027-380-150-932	1150	380	150
STN1027-480-200-933	900	480	200
STN1027-480-200-934	1000	480	200
STN1027-480-200-935	1150	480	200
STN1027-580-250-936	900	580	250
STN1027-580-250-937	1000	580	250
STN1027-580-250-938	1150	580	250
STN1027-690-300-939	150	680	300
STN1027-690-300-940	200	680	300
STN1027-690-300-941	250	680	300
STN1027-690-300-942	300	680	300
STN1027-690-300-943	350	680	300
STN1027-690-300-944	400	680	300
STN1027-690-300-945	500	680	300
STN1027-690-300-946	600	680	300
STN1027-690-300-947	700	680	300
STN1027-690-300-948	800	680	300
STN1027-690-300-949	900	680	300
STN1027-690-300-950	1000	680	300
STN1027-690-300-951	1150	680	300

REFERANS NO:	F1 (N)	L1 EXTENDED LENGTH AÇIK BOY	L2 STROKE STORK
STN1027-785-350-952	150	785	350
STN1027-785-350-953	200	785	350
STN1027-785-350-954	250	785	350
STN1027-785-350-955	300	785	350
STN1027-785-350-956	350	785	350
STN1027-785-350-957	400	785	350
STN1027-785-350-958	500	785	350
STN1027-785-350-959	600	785	350
STN1027-785-350-960	700	785	350
STN1027-785-350-961	800	785	350
STN1027-785-350-962	900	785	350
STN1027-785-350-963	1000	785	350
STN1027-785-350-964	1150	785	350
STN1027-895-400-965	150	895	400
STN1027-895-400-966	200	895	400
STN1027-895-400-967	250	895	400
STN1027-895-400-968	300	895	400
STN1027-895-400-969	350	895	400
STN1027-895-400-970	400	895	400
STN1027-895-400-971	500	895	400
STN1027-895-400-972	600	895	400
STN1027-895-400-973	700	895	400
STN1027-895-400-974	800	895	400
STN1027-895-400-975	900	895	400
STN1027-895-400-976	1000	895	400
STN1027-895-400-967	1150	895	400

10-21 RIGID BLOCK LIFT

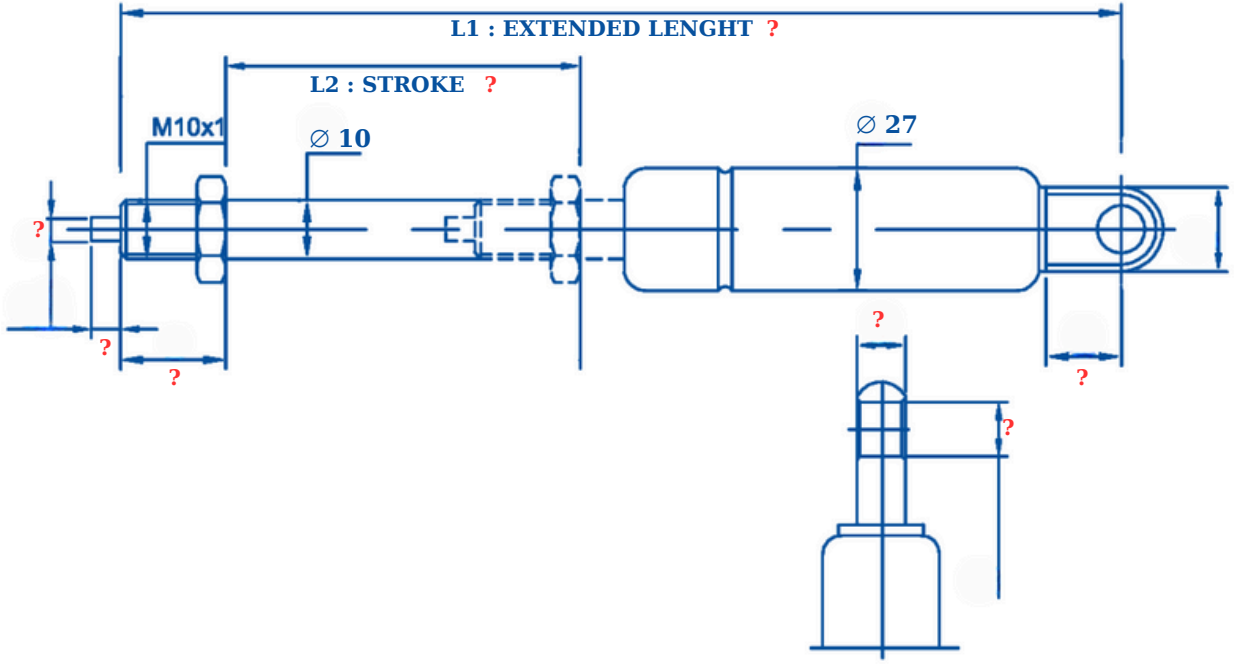


For your custom orders, please provide the information for the points indicated by '?'.
 Özel üretim siparişleriniz için "?" ile belirtilen noktaların bilgilerinizi iletiniz.

REFERANS NO:	F1 (N)	L1 EXTENDED LENGTH AÇIK BOY	L2 STROKE STORK
STN1027-180-20-968	400	180	20
STN1027-180-20-969	500	180	20
STN1027-180-20-970	600	180	20
STN1027-180-20-971	800	180	20
STN1027-180-20-972	1000	180	20
STN1027-180-20-973	1200	180	20
STN1027-180-25-974	400	195	25
STN1027-180-25-975	500	195	25
STN1027-180-25-976	600	195	25
STN1027-180-25-977	800	195	25
STN1027-180-25-978	1000	195	25
STN1027-180-25-979	1200	195	25
STN1027-210-30-980	300	210	30
STN1027-210-30-981	400	210	30
STN1027-210-30-982	500	210	30
STN1027-210-30-983	600	210	30
STN1027-210-30-984	800	210	30
STN1027-210-30-985	1000	210	30
STN1027-210-30-986	1200	210	30
STN1027-230-40-987	300	230	40
STN1027-230-40-988	400	230	40
STN1027-230-40-989	500	230	40
STN1027-230-40-990	600	230	40
STN1027-230-40-991	800	230	40
STN1027-230-40-992	1000	230	40
STN1027-230-40-993	1200	230	40
STN1027-280-60-994	300	280	60
STN1027-280-60-995	400	280	60

REFERANS NO:	F1 (N)	L1 EXTENDED LENGTH AÇIK BOY	L2 STROKE STORK
STN1027-280-60-996	500	280	60
STN1027-280-60-997	600	280	60
STN1027-280-60-998	800	280	60
STN1027-280-60-999	1000	280	60
STN1027-325-80-1000	200	325	80
STN1027-325-80-1001	300	325	80
STN1027-325-80-1002	400	325	80
STN1027-325-80-1003	500	325	80
STN1027-325-80-1004	600	325	80
STN1027-325-80-1005	800	325	80
STN1027-325-80-1006	1000	325	80
STN1027-385-100-1007	200	385	100
STN1027-385-100-1008	300	385	100
STN1027-385-100-1009	400	385	100
STN1027-385-100-1010	500	385	100
STN1027-385-100-1011	600	385	100
STN1027-385-100-1012	800	385	100
STN1027-435-120-1013	200	435	120
STN1027-435-120-1014	300	435	120
STN1027-435-120-1015	400	435	120
STN1027-435-120-1016	500	435	120
STN1027-435-120-1017	600	435	120
STN1027-435-120-1018	800	435	120
STN1027-525-160-1019	200	525	160
STN1027-525-160-1020	300	525	160
STN1027-525-160-1021	400	525	160
STN1027-525-160-1022	500	525	160
STN1027-525-160-1023	600	525	160

10-27 ELASTİC BLOCK LIFT

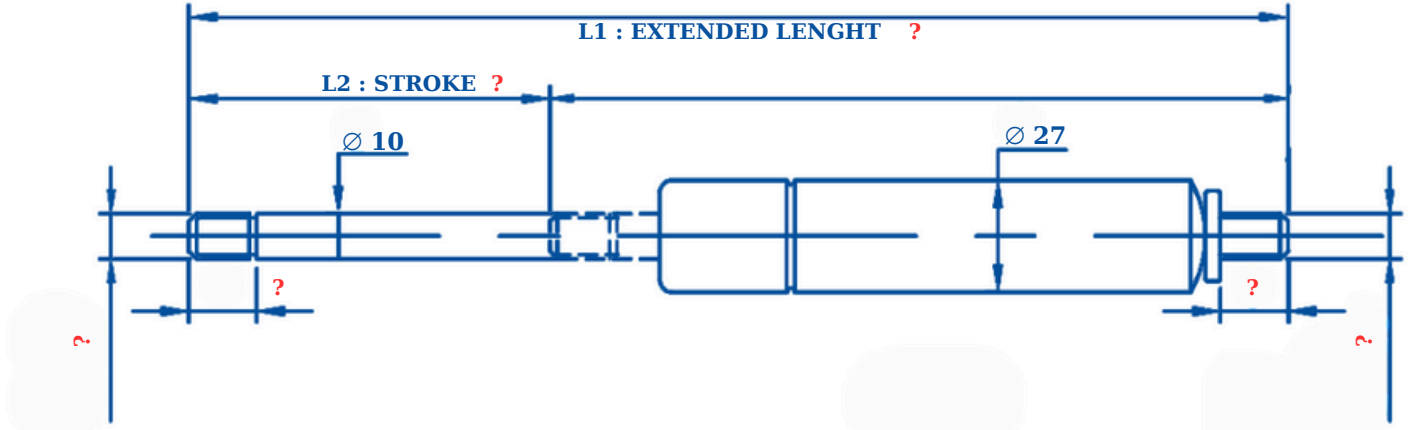


For your custom orders, please provide the information for the points indicated by '?'.
Özel üretim siparişleriniz için "?" ile belirtilen noktaların bilgilerinizi iletiniz.

REFERANS NO:	F1 (N)	L1 EXTENDED LENGTH AÇIK BOY	L2 STROKE STORK
STN1027-155-20-1024	300	155	20
STN1027-155-20-1025	350	155	20
STN1027-155-20-1026	400	155	20
STN1027-155-20-1027	500	155	20
STN1027-155-20-1028	600	155	20
STN1027-155-20-1029	800	155	20
STN1027-155-20-1030	1000	155	20
STN1027-155-20-1031	1200	155	20
STN1027-160-25-1032	250	160	25
STN1027-160-25-1033	300	160	25
STN1027-160-25-1034	350	160	25
STN1027-160-25-1035	400	160	25
STN1027-160-25-1036	500	160	25
STN1027-160-25-1037	600	160	25
STN1027-160-25-1038	800	160	25
STN1027-160-25-1039	1000	160	25
STN1027-160-25-1040	1200	160	25
STN1027-175-30-1041	250	175	30
STN1027-175-30-1042	300	175	30
STN1027-175-30-1043	350	175	30
STN1027-175-30-1044	400	175	30
STN1027-175-30-1045	500	175	30
STN1027-175-30-1046	600	175	30
STN1027-175-30-1047	800	175	30
STN1027-175-30-1048	1000	175	30
STN1027-175-30-1049	1200	175	30
STN1027-190-40-1050	450	190	40
STN1027-190-40-1051	500	190	40

REFERANS NO:	F1 (N)	L1 EXTENDED LENGTH AÇIK BOY	L2 STROKE STORK
STN1027-190-40-1052	600	190	40
STN1027-190-40-1053	800	190	40
STN1027-190-40-1054	1000	190	40
STN1027-190-40-1055	1200	190	40
STN1027-235-60-1056	200	235	60
STN1027-235-60-1057	250	235	60
STN1027-235-60-1058	300	235	60
STN1027-235-60-1059	350	235	60
STN1027-235-60-1060	400	235	60
STN1027-235-60-1061	500	235	60
STN1027-235-60-1062	600	235	60
STN1027-235-60-1063	800	235	60
STN1027-235-60-1064	1000	235	60
STN1027-235-60-1065	1200	235	60
STN1027-275-80-1066	200	275	80
STN1027-275-80-1067	250	275	80
STN1027-275-80-1068	300	275	80
STN1027-275-80-1069	350	275	80
STN1027-275-80-1070	400	275	80
STN1027-275-80-1071	500	275	80
STN1027-275-80-1072	600	275	80
STN1027-275-80-1073	800	275	80
STN1027-275-80-1074	1000	275	80
STN1027-275-80-1075	1200	275	80
STN1027-315-100-1076	200	315	100
STN1027-315-100-1077	400	315	100
STN1027-315-100-1078	600	315	100
STN1027-315-100-1079	1000	315	100

10-27 THREADED ENDS LIFT

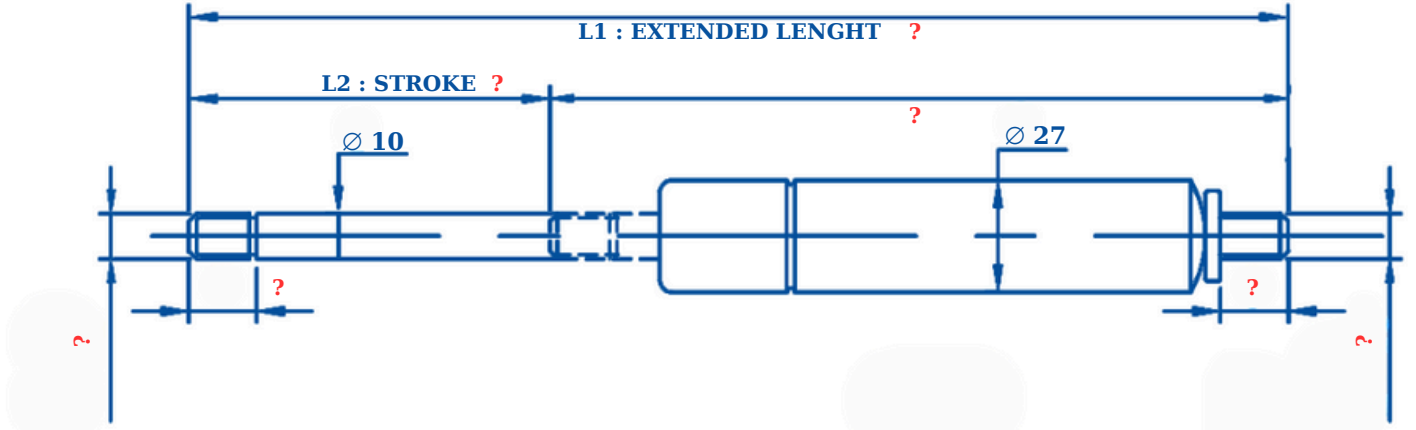


For your custom orders, please provide the information for the points indicated by '?'.
Özel üretim siparişleriniz için "?" ile belirtilen noktaların bilgilerinizi iletiniz.

REFERANS NO:	F1 (N)	L1 EXTENDED LENGTH AÇIK BOY	L2 STROKE STORK
STN1027-270-100-1080	900	270	100
STN1027-270-100-1081	1000	270	100
STN1027-270-100-1082	1150	270	100
STN1027-370-150-1083	900	370	150
STN1027-370-150-1084	1000	370	150
STN1027-370-150-1085	1150	370	150
STN1027-470-200-1086	900	470	200
STN1027-470-200-1087	1000	470	200
STN1027-470-200-1088	1150	470	200
STN1027-570-250-1089	900	570	250
STN1027-570-250-1090	1000	570	250
STN1027-570-250-1091	1150	570	250
STN1027-670-300-1092	150	670	300
STN1027-670-300-1093	200	670	300
STN1027-670-300-1094	250	670	300
STN1027-670-300-1095	300	670	300
STN1027-670-300-1096	350	670	300
STN1027-670-300-1097	400	670	300
STN1027-670-300-1098	500	670	300
STN1027-670-300-1099	600	670	300
STN1027-670-300-1100	700	670	300
STN1027-670-300-1101	750	670	300
STN1027-670-300-1102	800	670	300
STN1027-670-300-1103	850	670	300
STN1027-670-300-1104	900	670	300
STN1027-670-300-1105	1000	670	300
STN1027-670-300-1106	1150	670	300

REFERANS NO:	F1 (N)	L1 EXTENDED LENGTH AÇIK BOY	L2 STROKE STORK
STN1027-785-350-1107	150	785	350
STN1027-785-350-1108	200	785	350
STN1027-785-350-1109	250	785	350
STN1027-785-350-1110	300	785	350
STN1027-785-350-1111	350	785	350
STN1027-785-350-1112	400	785	350
STN1027-785-350-1113	500	785	350
STN1027-785-350-1114	600	785	350
STN1027-785-350-1115	700	785	350
STN1027-785-350-1116	750	785	350
STN1027-785-350-1117	800	785	350
STN1027-785-350-1118	850	785	350
STN1027-785-350-1119	900	785	350
STN1027-885-400-1120	150	885	400
STN1027-885-400-1121	200	885	400
STN1027-885-400-1122	250	885	400
STN1027-885-400-1123	300	885	400
STN1027-885-400-1124	350	885	400
STN1027-885-400-1125	400	885	400
STN1027-885-400-1126	450	885	400
STN1027-885-400-1127	500	885	400
STN1027-885-400-1128	550	885	400
STN1027-885-400-1129	600	885	400
STN1027-885-400-1130	650	885	400
STN1027-885-400-1131	700	885	400
STN1027-885-400-1132	800	885	400
STN1027-885-400-1133	900	885	400

10-27 THREADED ENDS LIFT

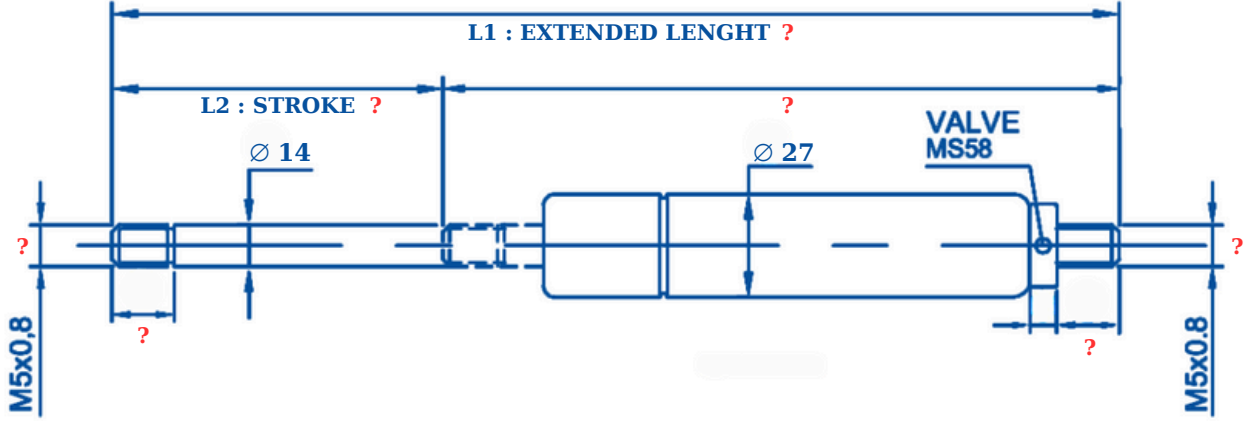


For your custom orders, please provide the information for the points indicated by '?'.
Özel üretim siparişleriniz için "?" ile belirtilen noktaların bilgilerinizi iletiniz.

REFERANS NO:	F1 (N)	L1 EXTENDED LENGTH AÇIK BOY	L2 STROKE STORK
STN1027-270-100-1080	900	270	100
STN1027-270-100-1081	1000	270	100
STN1027-270-100-1082	1150	270	100
STN1027-370-150-1083	900	370	150
STN1027-370-150-1084	1000	370	150
STN1027-370-150-1085	1150	370	150
STN1027-470-200-1086	900	470	200
STN1027-470-200-1087	1000	470	200
STN1027-470-200-1088	1150	470	200
STN1027-570-250-1089	900	570	250
STN1027-570-250-1090	1000	570	250
STN1027-570-250-1091	1150	570	250
STN1027-670-300-1092	150	670	300
STN1027-670-300-1093	200	670	300
STN1027-670-300-1094	250	670	300
STN1027-670-300-1095	300	670	300
STN1027-670-300-1096	350	670	300
STN1027-670-300-1097	400	670	300
STN1027-670-300-1098	500	670	300
STN1027-670-300-1099	600	670	300
STN1027-670-300-1100	700	670	300
STN1027-670-300-1101	750	670	300
STN1027-670-300-1102	800	670	300
STN1027-670-300-1103	850	670	300
STN1027-670-300-1104	900	670	300
STN1027-670-300-1105	1000	670	300
STN1027-670-300-1106	1150	670	300

REFERANS NO:	F1 (N)	L1 EXTENDED LENGTH AÇIK BOY	L2 STROKE STORK
STN1027-785-350-1107	150	785	350
STN1027-785-350-1108	200	785	350
STN1027-785-350-1109	250	785	350
STN1027-785-350-1110	300	785	350
STN1027-785-350-1111	350	785	350
STN1027-785-350-1112	400	785	350
STN1027-785-350-1113	500	785	350
STN1027-785-350-1114	600	785	350
STN1027-785-350-1115	700	785	350
STN1027-785-350-1116	750	785	350
STN1027-785-350-1117	800	785	350
STN1027-785-350-1118	850	785	350
STN1027-785-350-1119	900	785	350
STN1027-885-400-1120	150	885	400
STN1027-885-400-1121	200	885	400
STN1027-885-400-1122	250	885	400
STN1027-885-400-1123	300	885	400
STN1027-885-400-1124	350	885	400
STN1027-885-400-1125	400	885	400
STN1027-885-400-1126	450	885	400
STN1027-885-400-1127	500	885	400
STN1027-885-400-1128	550	885	400
STN1027-885-400-1129	600	885	400
STN1027-885-400-1130	650	885	400
STN1027-885-400-1131	700	885	400
STN1027-885-400-1132	800	885	400
STN1027-885-400-1133	900	885	400

14-27 VALVE LIFT

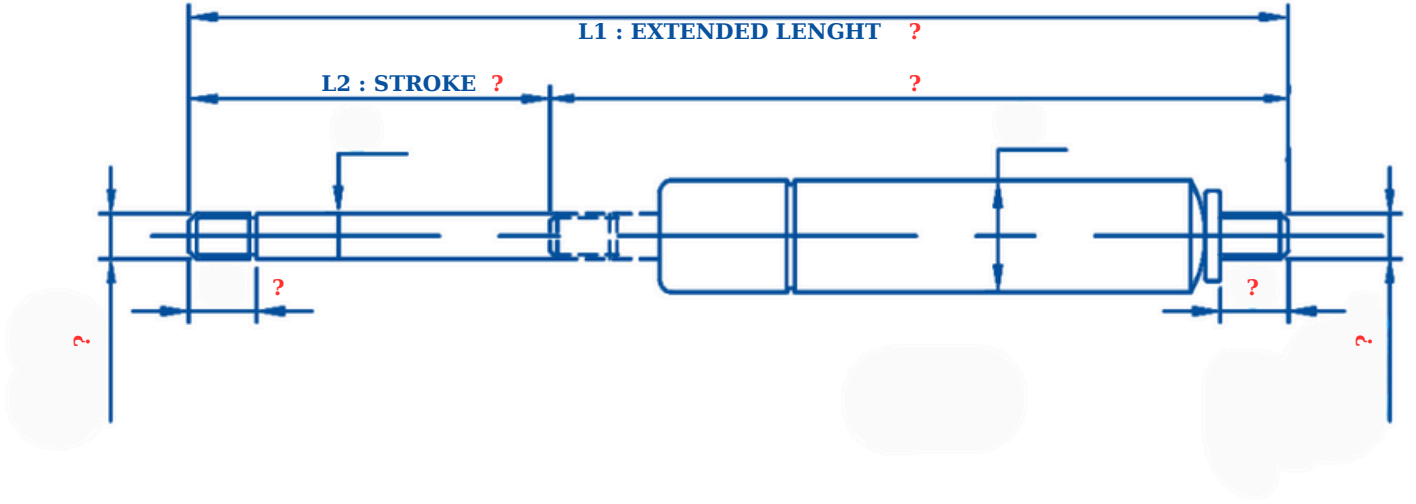


For your custom orders, please provide the information for the points indicated by '?'.
Özel üretim siparişleriniz için "?" ile belirtilen noktaların bilgilerinizi iletiniz.

REFERANS NO:	F1 (N)	L1 EXTENDED LENGTH AÇIK BOY	L2 STROKE STORK
STN1427-310-100-1184	1300	310	100
STN1427-310-100-1185	1500	310	100
STN1427-310-100-1186	1700	310	100
STN1427-310-100-1187	1900	310	100
STN1427-310-100-1188	2100	310	100
STN1427-410-150-1189	1300	410	150
STN1427-410-150-1190	1500	410	150
STN1427-410-150-1191	1700	410	150
STN1427-410-150-1192	1900	410	150
STN1427-410-150-1193	2100	410	150
STN1427-510-200-1194	1300	510	200
STN1427-510-200-1195	1500	510	200
STN1427-510-200-1196	1700	510	200
STN1427-510-200-1197	1900	510	200
STN1427-510-200-1198	2100	510	200
STN1427-610-250-1199	1300	610	250
STN1427-610-250-1200	1500	610	250
STN1427-610-250-1201	1700	610	250
STN1427-610-250-1202	1900	610	250
STN1427-610-250-1203	2100	610	250
STN1427-710-300-1204	1300	710	300
STN1427-710-300-1205	1500	710	300
STN1427-710-300-1206	1700	710	300
STN1427-710-300-1207	1900	710	300
STN1427-710-300-1208	2100	710	300

REFERANS NO:	F1 (N)	L1 EXTENDED LENGTH AÇIK BOY	L2 STROKE STORK
STN1427-810-350-1209	1300	810	350
STN1427-810-350-1210	1500	810	350
STN1427-810-350-1211	1700	810	350
STN1427-810-350-1212	1900	810	350
STN1427-810-350-1213	2100	810	350
STN1427-910-400-1214	1300	910	400
STN1427-910-400-1215	1500	910	400
STN1427-910-400-1216	1700	910	400
STN1427-910-400-1217	1900	910	400
STN1427-910-400-1218	2100	910	400
STN1427-1100-500-1219	500	1100	500
STN1427-1100-500-1220	600	1100	500
STN1427-1100-500-1221	700	1100	500
STN1427-1100-500-1222	800	1100	500
STN1427-1100-500-1223	900	1100	500
STN1427-1100-500-1224	1000	1100	500
STN1427-1100-500-1225	1100	1100	500
STN1427-1100-500-1226	1300	1100	500
STN1427-1100-500-1227	1500	1100	500
STN1427-1100-500-1228	1700	1100	500

14-27 THREADED ENDS LIFT

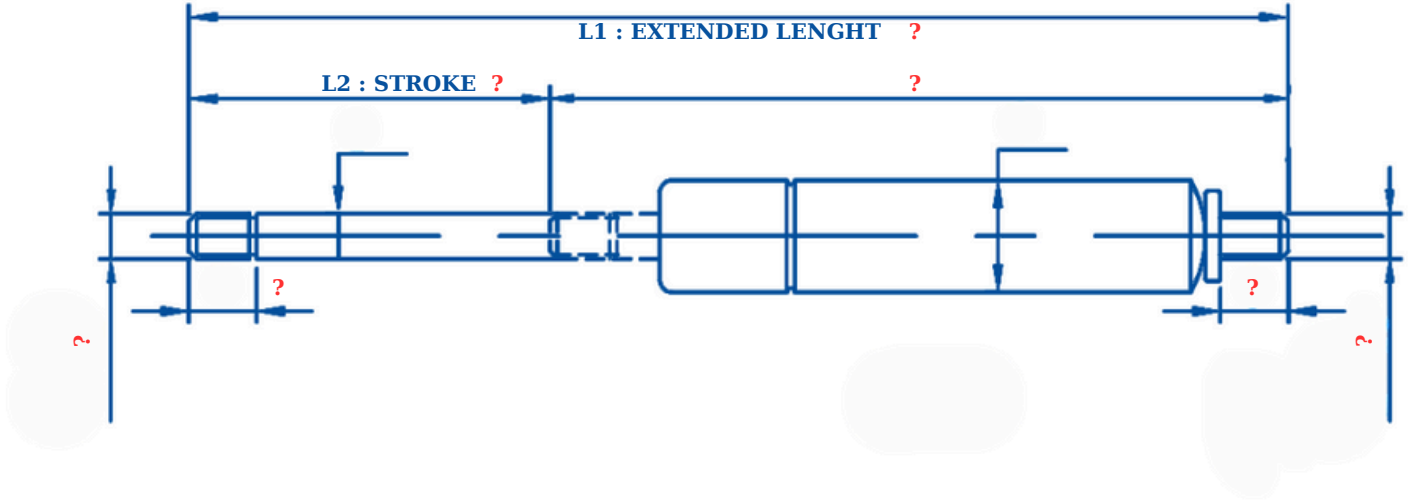


For your custom orders, please provide the information for the points indicated by '?'.
Özel üretim siparişleriniz için "?" ile belirtilen noktaların bilgilerinizi iletiniz.

REFERANS NO:	F1 (N)	L1 EXTENDED LENGTH AÇIK BOY	L2 STROKE STORK
STN1427-300-100-1229	1300	300	100
STN1427-300-100-1230	1500	300	100
STN1427-300-100-1231	1700	300	100
STN1427-300-100-1232	1900	300	100
STN1427-300-100-1233	2100	300	100
STN1427-400-150-1234	1300	400	150
STN1427-400-150-1235	1500	400	150
STN1427-400-150-1236	1700	400	150
STN1427-400-150-1237	1900	400	150
STN1427-400-150-1238	2100	400	150
STN1427-500-200-1239	1300	500	200
STN1427-500-200-1240	1500	500	200
STN1427-500-200-1241	1700	500	200
STN1427-500-200-1242	1900	500	200
STN1427-500-200-1243	2100	500	200
STN1427-600-250-1244	1300	600	250
STN1427-600-250-1245	1500	600	250
STN1427-600-250-1246	1700	600	250
STN1427-600-250-1247	1900	600	250
STN1427-600-250-1248	2100	600	250
STN1427-700-300-1249	1300	700	300
STN1427-700-300-1250	1500	700	300
STN1427-700-300-1251	1700	700	300
STN1427-700-300-1252	1900	700	300
STN1427-700-300-1253	2100	700	300

REFERANS NO:	F1 (N)	L1 EXTENDED LENGTH AÇIK BOY	L2 STROKE STORK
STN1427-800-350-1254	1300	800	350
STN1427-800-350-1255	1500	800	350
STN1427-800-350-1256	1700	800	350
STN1427-800-350-1257	1900	800	350
STN1427-800-350-1258	2100	800	350
STN1427-900-400-1259	1300	900	400
STN1427-900-400-1260	1500	900	400
STN1427-900-400-1261	1700	900	400
STN1427-900-400-1262	1900	900	400
STN1427-900-400-1263	2100	900	400
STN1427-1100-500-1264	500	1100	500
STN1427-1100-500-1265	600	1100	500
STN1427-1100-500-1266	700	1100	500
STN1427-1100-500-1267	800	1100	500
STN1427-1100-500-1268	900	1100	500
STN1427-1100-500-1269	1000	1100	500
STN1427-1100-500-1270	1100	1100	500
STN1427-1100-500-1271	1300	1100	500
STN1427-1100-500-1272	1500	1100	500
STN1427-1100-500-1273	1700	1100	500

14-27 STAINLESS STEEL LIFT

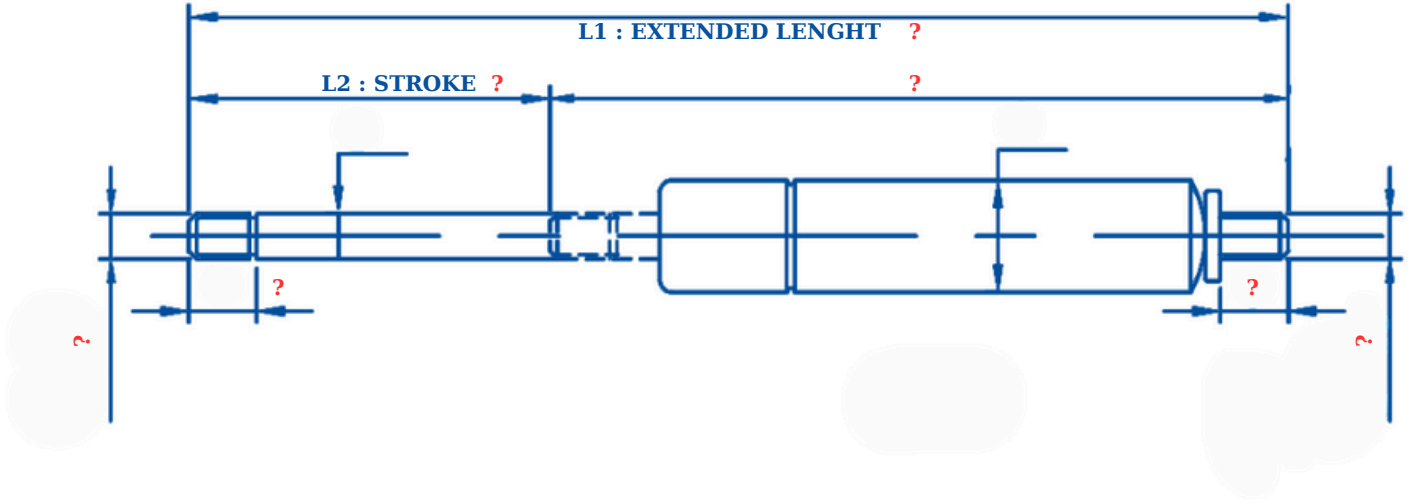


For your custom orders, please provide the information for the points indicated by '?'.
Özel üretim siparişleriniz için "?" ile belirtilen noktaların bilgilerinizi iletiniz.

REFERANS NO:	F1 (N)	L1 EXTENDED LENGTH AÇIK BOY	L2 STROKE STORK
STN1427-300-100-1274	1350	300	100
STN1427-300-100-1275	1500	300	100
STN1427-300-100-1276	1600	300	100
STN1427-300-100-1277	1700	300	100
STN1427-300-100-1278	1800	300	100
STN1427-400-150-1279	1350	400	150
STN1427-400-150-1280	1500	400	150
STN1427-400-150-1281	1600	400	150
STN1427-400-150-1282	1700	400	150
STN1427-400-150-1283	1800	400	150
STN1427-500-200-1284	1350	500	200
STN1427-500-200-1285	1500	500	200
STN1427-500-200-1286	1600	500	200
STN1427-500-200-1287	1700	500	200
STN1427-500-200-1288	1800	500	200
STN1427-600-250-1289	1350	600	250
STN1427-600-250-1290	1500	600	250
STN1427-600-250-1291	1600	600	250
STN1427-600-250-1292	1700	600	250
STN1427-600-250-1293	1800	600	250
STN1427-700-300-1294	1350	700	300
STN1427-700-300-1295	1500	700	300
STN1427-700-300-1296	1600	700	300
STN1427-700-300-1297	1700	700	300
STN1427-700-300-1298	1800	700	300

REFERANS NO:	F1 (N)	L1 EXTENDED LENGTH AÇIK BOY	L2 STROKE STORK
STN1427-800-350-1299	1350	800	350
STN1427-800-350-1300	1500	800	350
STN1427-800-350-1301	1600	800	350
STN1427-800-350-1302	1700	800	350
STN1427-800-350-1303	1800	800	350
STN1427-900-400-1304	1350	900	400
STN1427-900-400-1305	1500	900	400
STN1427-900-400-1306	1600	900	400
STN1427-900-400-1307	1700	900	400
STN1427-900-400-1308	1800	900	400
STN1427-1100-500-1309	500	1100	500
STN1427-1100-500-1310	600	1100	500
STN1427-1100-500-1311	700	1100	500
STN1427-1100-500-1312	800	1100	500
STN1427-1100-500-1313	900	1100	500
STN1427-1100-500-1314	1000	1100	500
STN1427-1100-500-1315	1100	1100	500
STN1427-1100-500-1316	1300	1100	500
STN1427-1100-500-1317	1400	1100	500
STN1427-1100-500-1318	1500	1100	500

20-40 THREADED ENDS LIFT



For your custom orders, please provide the information for the points indicated by '?'.
Özel üretim siparişleriniz için "?" ile belirtilen noktaların bilgilerinizi iletiniz.

REFERANS NO:	F1 (N)	L1 EXTENDED LENGTH AÇIK BOY	L2 STROKE STORK
STN2040-300-100-1319	1300	300	100
STN2040-300-100-1320	1500	300	100
STN2040-300-100-1321	1700	300	100
STN2040-300-100-1322	1900	300	100
STN2040-300-100-1323	2100	300	100
STN2040-400-150-1324	1300	400	150
STN2040-400-150-1325	1500	400	150
STN2040-400-150-1326	1700	400	150
STN2040-400-150-1327	1900	400	150
STN2040-400-150-1328	2100	400	150
STN2040-500-200-1329	1300	500	200
STN2040-500-200-1330	1500	500	200
STN2040-500-200-1331	1700	500	200
STN2040-500-200-1332	1900	500	200
STN2040-500-200-1333	2100	500	200
STN2040-600-250-1334	1300	600	250
STN2040-600-250-1335	1500	600	250
STN2040-600-250-1336	1700	600	250
STN2040-600-250-1337	1900	600	250
STN2040-600-250-1338	2100	600	250
STN2040-700-300-1339	1300	700	300
STN2040-700-300-1400	1500	700	300
STN2040-700-300-1401	1700	700	300
STN2040-700-300-1402	1900	700	300
STN2040-700-300-1403	2100	700	300

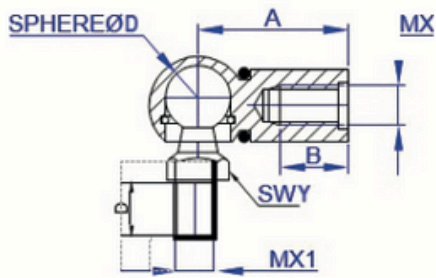
REFERANS NO:	F1 (N)	L1 EXTENDED LENGTH AÇIK BOY	L2 STROKE STORK
STN2040-800-350-1403	1300	800	350
STN2040-800-350-1404	1500	800	350
STN2040-800-350-1405	1700	800	350
STN2040-800-350-1406	1900	800	350
STN2040-800-350-1407	2100	800	350
STN2040-900-400-1408	1300	900	400
STN2040-900-400-1409	1500	900	400
STN2040-900-400-1410	1700	900	400
STN2040-900-400-1411	1900	900	400
STN2040-900-400-1412	2100	900	400
STN2040-1200-600-1413	500	1200	600
STN2040-1200-600-1414	600	1200	600
STN2040-1200-600-1415	700	1200	600
STN2040-1200-600-1416	800	1200	600
STN2040-1200-600-1417	900	1200	600
STN2040-1200-600-1418	1000	1200	600
STN2040-1200-600-1419	1100	1200	600
STN2040-1200-600-1420	1300	1200	600
STN2040-1200-600-1421	1500	1200	600
STN2040-1200-600-1422	1700	1200	600

Connectors

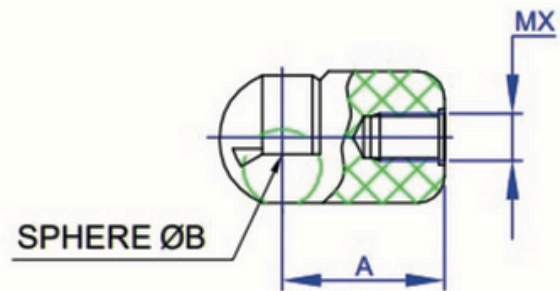


Fasteners are a safe and practical solution that makes gas springs suitable for use. In addition to being able to be designed in accordance with every environment and purpose of use, as required, standardized sizes are kept ready in stock, and they comply with the aesthetics of your design with different coatings. There are some terms of use in the plastic fasteners group, so it is very important to get an opinion from your consultant when choosing. There are different combinations between sizes, request a detailed list of the type of headpiece you are interested in from your consultant.

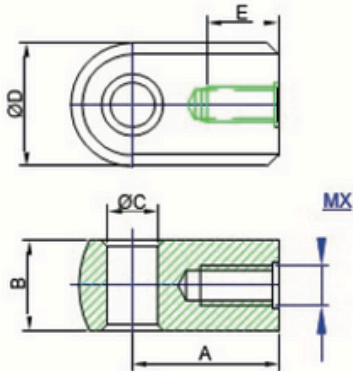
Ball Joint



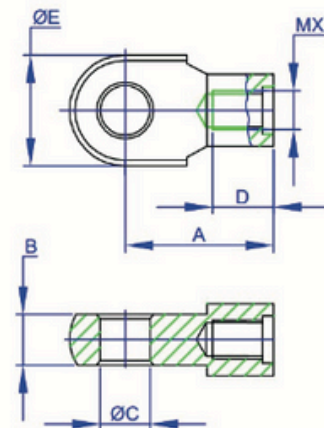
Plastic Joint



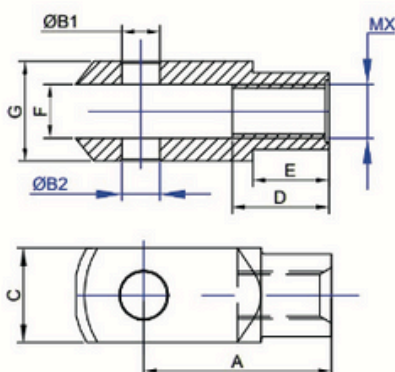
Eyelet



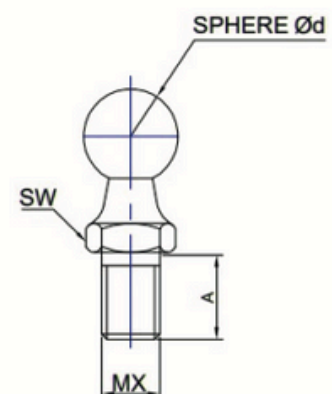
Eyelet



Clevis



Ball Joint



İSTANBULPİSTON



İSTANBUL PİSTON VE BAĞLANTI ELEMANLARI SAN. TİC. LTD. ŞTİ.
Kocabeton Sanayi Sitesi 3/15 41400 Gebze Kocaeli • Türkiye
No: +90 262 642 4777
E-mail: info@istanbulpiston.com